



SLHB LED High Bay

Project:	
Type:	
Note:	

DESCRIPTION

The Starco SLHB is a rugged LED luminaire suitable for a variety of applications and a balanced mixture of high performance and value. Applications include manufacturing, warehouses, distribution and convention centers, gymnasiums and other large indoor spaces. SLHB is ideal to replace traditional linear fluorescent and HID fixtures in industrial and commercial buildings with uncompromised quality and reliability. Multiple lumen outputs and electrical and control options make SLHB practical, as well as versatile. SLHB offers a range of lumen packages from 12,000 to 60,000 lumens and delivers up to 185 lumens per watt for maximum rebate eligibility and years of free maintenance.



SPECIFICATION FEATURES

Construction & Materials

- Extruded aluminum heatsinks maximize LED lifetime and optimal performance
- Durable white-painted center driver channel
- Heavy-gauge 5VA flammability classified plastic end caps
- Light weight design allows for a less obtrusive installation
- Multiple mounting options: Suspended, Pendant, Surface

Electrical System

- High efficiency driver
- Input Voltage: 120-277V, 347V-480V, 50/60Hz
- Operating Temperature: -30°C (-22°F) to 55°C (131°F)
- 0-10V Continuous dimming to 10%
- Non Flickering (Flicker rate <10%)
- Power Factor: >0.95
- Total Harmonic Distortion: <15%
- Surge Protection: 8kV

Diffuser

- High impact diffused polycarbonate optics provides even distribution
- Optional frosted lens provides maximum glare reduction

LED

- CRI: 80+, 90+
- CCT: 3000K, 4000K, 5000K
- Calculated L₇₀ Lifetime: >295,000 hours @ 25°C
- Reported L₉₀ Lifetime: >86,000 hours @ 25°C

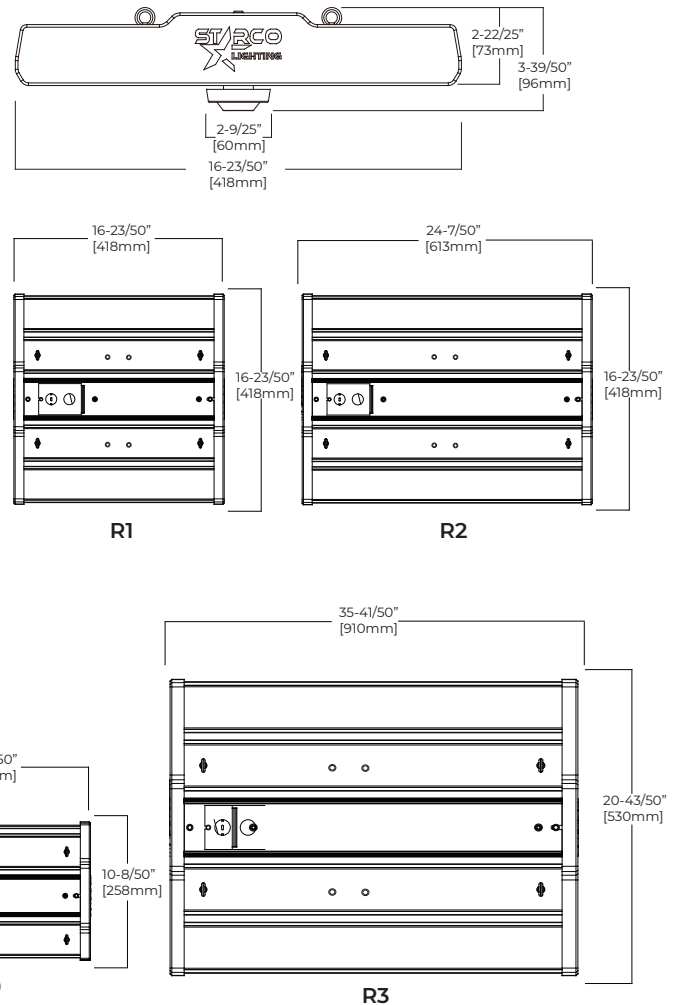
Controls

- Motion&daylight sensor
- Wireless Bluetooth Mesh Network

Warranty

- 10 Years

DIMENSION



Example: SLHB-120-R1-D-50-D-M-H-80-U

SLHB				
Series	Lumens Package	Size	Lens	Color Temperature
SLHB=LED High Bay	50=50W, 9000 lumens 65=65W, 12000 lumens	R0=418x258mm 16"x 10"	F=Frosted Polycarbonate, wide distribution D=Diffused Polycarbonate, wide distribution	30=3000K 35=3500K 40=4000K 50=5000K
	70=70W, 13000 lumens 100=100W, 18000 lumens 120=120W, 21000 lumens 135=135W, 24000 lumens 150=150W, 26000 lumens	R1=418x418mm 16"x 16"		
	165=165W, 28000 lumens 180=180W, 31000 lumens 200=200W, 35000 lumens 220=220W, 38000 lumens	R2=418x618mm 16"x 24"		
	250=250W, 42000 lumens 300=300W, 50000 lumens 350=350W, 60000 lumens 400=400W, 68000 lumens	R3=530x910mm 21"x 36"		

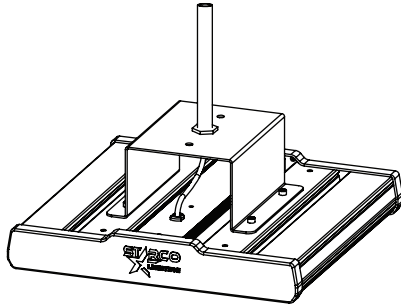
Dimming	Sensor	Mounting	CRI	Voltage
D=Dimming N=No Dimming	O=No Sensor M=Wattstopper PIR motion & daylight sensor with 360° lens (FSP211-L7) S=Wattstopper bluetooth remote controlled PIR motion & daylight sensor with 360° lens (FSP311-L7) B=Starco bluetooth mesh wireless controlled PIR motion and daylight sensor with 360° lens (CYC) E=Keilton+autani bluetooth mesh sensor(IFS101-HBL1) + UL924 Emergency relay (PPA109S). See more on page.5	H=Suspended mount C=Surface mount P=Pendent mount	80=80 CRI 90=90 CRI	U=120-277V H=347-480V

--

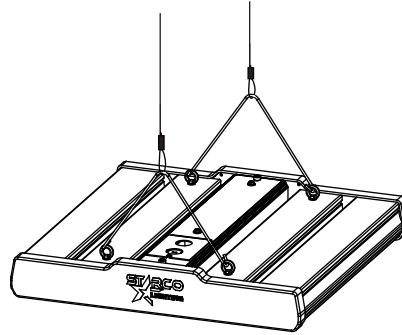
Options

<p>Emergency Battery Backup Pack EC=End cap orange emergency coating (#FF7900) EMD20=20W Emergency battery backup pack EMD30=30W Emergency battery backup pack EMD40=40W Emergency battery backup pack</p> <p>Fixture Accessories WGR0=White wire guard for R0 WGR1=White wire guard for R1 WGR2=White wire guard for R2 WGR3=White wire guard for R3 AC10=10ft Aircraft cable with hook 5/64" diameter galvanized steel (one pair) AC20=20ft Aircraft cable with hook 5/64" diameter galvanized steel (one pair) HBSMK=Surface/pendent mount bracket</p>	<p>Cords & Plugs C6J=6ft 16awg 3 conductors 300V SJOOW cord C6O=6ft 16awg 3 conductors 600V SOOW cord C10J=10ft 16awg 3 conductors 300V SJOOW cord C10O=10ft 16awg 3 conductors 600V SOOW cord</p> <p>P515=Straight blade 15A 125V plug PL715=Locking 15A 277V plug P520=Straight blade 20A 125V plug PL720=Locking 20A 277V plug</p> <p>PC2FSC33=Plug-n-go 3ft 16/3 cord with plug PC2FSC36=Plug-n-go 6ft 16/3 cord with plug</p>
---	---

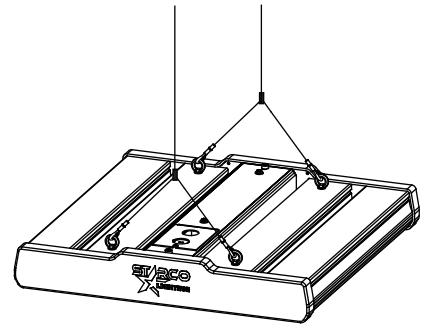
Pendent Mount
Standard (3/4")



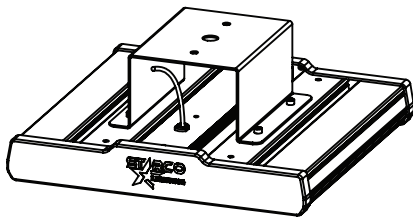
Suspended Mount
Hanging chain+V-clip



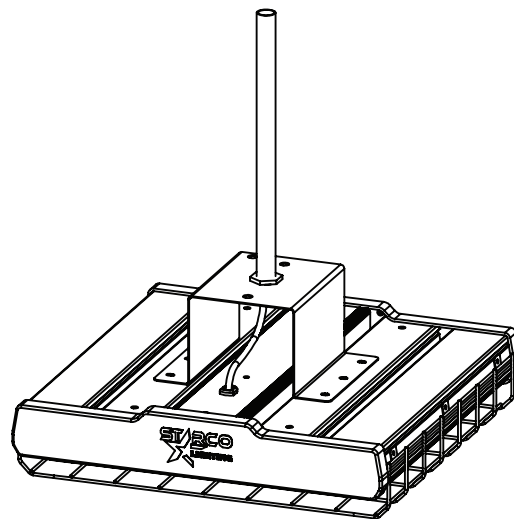
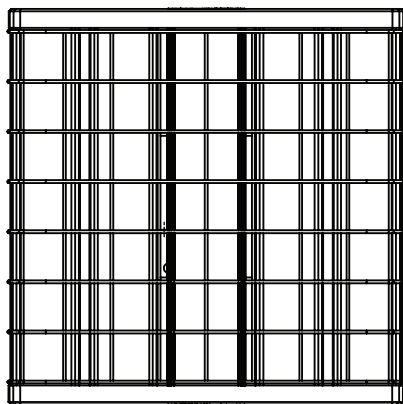
Aircraft Cable with hook



Surface Mount



Wire Guard



Wattstopper Sensor

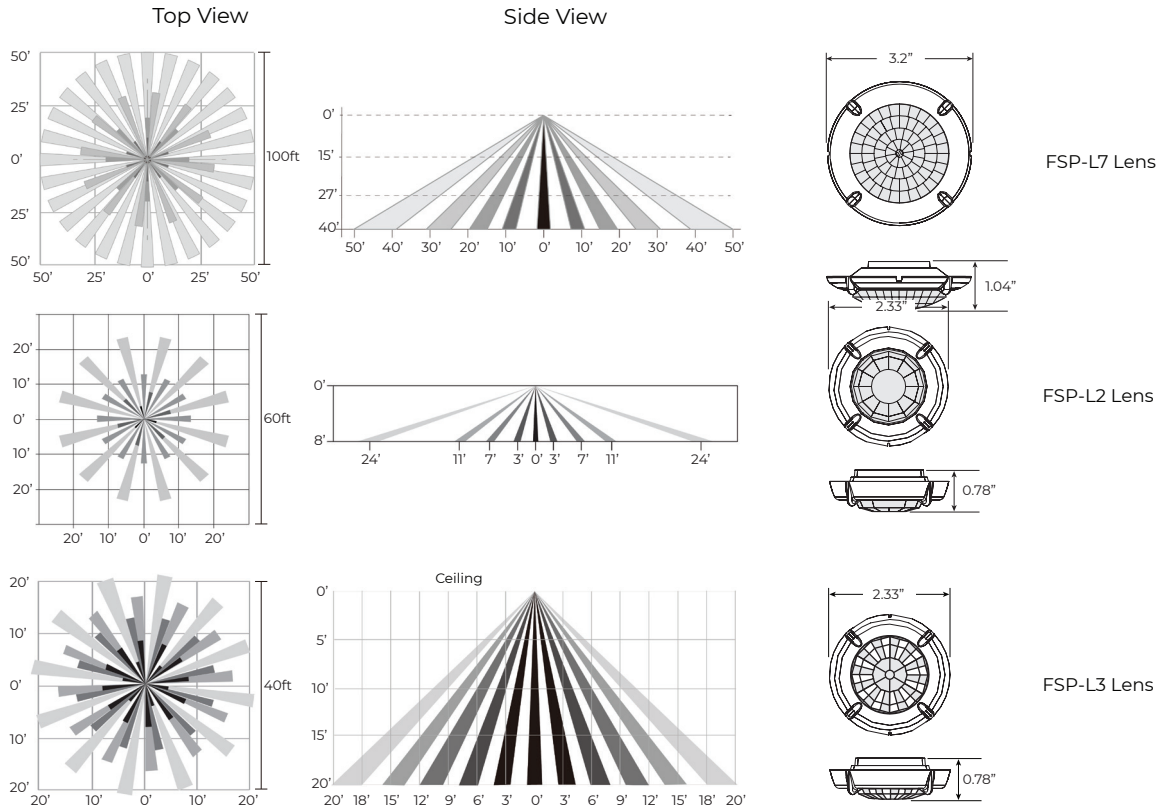
THE SLHB LED High Bay integrated with the Legrand Wattstopper® photo/motion sensor provides more energy savings without sacrificing performance. Unlike traditional lighting control systems, the SLHB delivers superior lighting with integrated occupancy and daylight controls. FSP-211 sensors operate from -40°C (-40°F) to 70°C (158°F) and have an IP66 rating and 5 year warranty. Please refer to Legrand Wattstopper® spec sheet for more information.



FSP-211



FSP-311

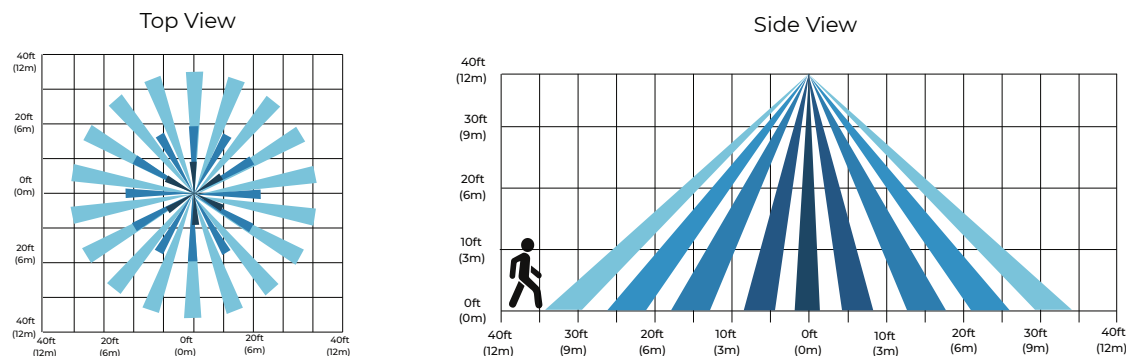


Starco Sensor

The CYC is a compact, IP65-rated, BLE 5.2 wireless multi-sensing device designed for efficient lighting control in various indoor and outdoor applications. It features PIR motion sensing, daylight sensing, and dual 0-10V channel outputs for LED driver control. By default, the device operates as a 0-10V channel for dimming and 2nd 0-10V channel for color tuning, with motion and daylight sensing functionalities configurable via the Starco Control mobile application. The CYC is available with either an audio jack or a Zhaga Book 18 connector, facilitating seamless integration into diverse lighting systems.



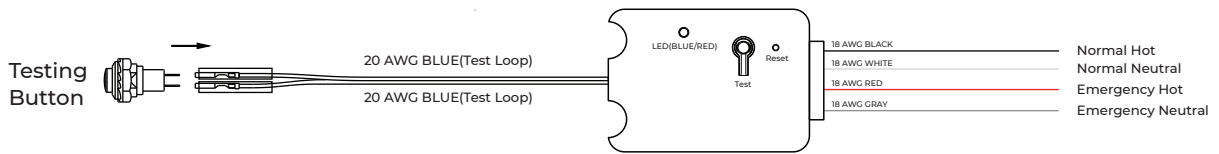
CYC



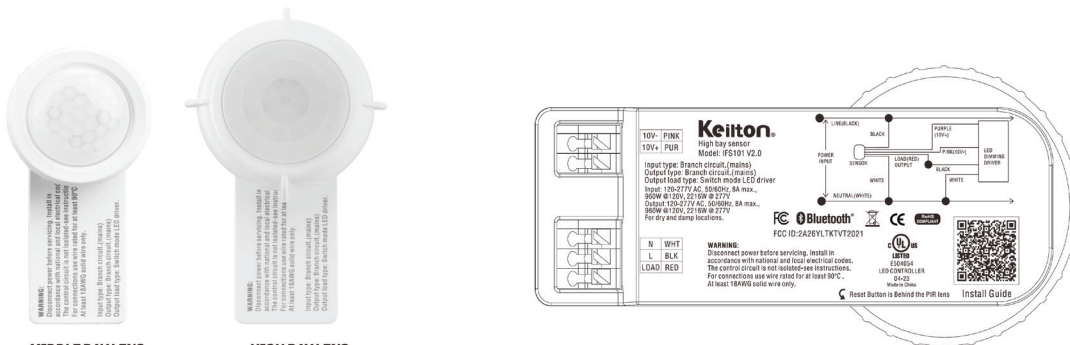
Starco Lighting also offers a wireless emergency solution using emergency load controller and wireless sensor. The PPA109S connects to normal power and emergency power. It sends a bluetooth signal to the emergency load controllers when normal power is lost.



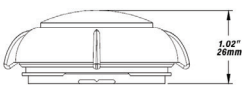
1. Provision for remote test button or fire alarm interface
2. Dual color function LED indicator
3. Suitable for use in return air plenum Rated UL2043
4. Comply TO UL 1376, UL924, RoHS
5. Only 1 piece is requested per Zone



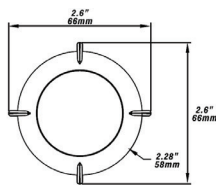
The IFS101 Sensor/Load Controller can be set to emergency mode (IFS101E) raising the light levels to 100% when it receives a signal that normal power is lost from the PPA109S controller.



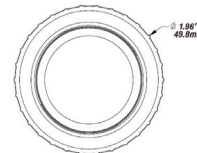
HBL1



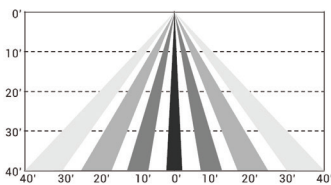
WITH HIGH BAY LENS



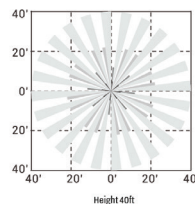
MBL1



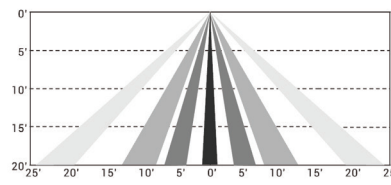
Coverage Side View



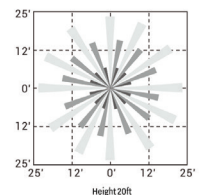
Coverage Top View



Coverage Side View



Coverage Top View



Wattage	Size	80 CRI @5000K		PC Lens
		Lumens	Efficacy	
50	R0	9250	185	Diffused
50	R0	8800	176	Frosted
65	R0	12050	185	Diffused
65	R0	11440	176	Frosted
70	R1	12600	180	Diffused
70	R1	11970	171	Frosted
100	R1	18000	180	Diffused
100	R1	17100	171	Frosted
120	R1	21360	178	Diffused
120	R1	20280	169	Frosted
135	R1	24030	178	Diffused
135	R1	22815	169	Frosted
150	R1	26250	175	Diffused
150	R1	24900	166	Frosted
165	R2	28875	175	Diffused
165	R2	27390	166	Frosted
180	R2	31500	175	Diffused
180	R2	30000	166	Frosted
200	R2	35000	175	Diffused
200	R2	33200	166	Frosted
220	R2	38500	175	Diffused
220	R2	36520	166	Frosted
250	R3	42500	170	Diffused
250	R3	40250	161	Frosted
300	R3	51000	170	Diffused
300	R3	48300	161	Frosted
350	R3	59500	170	Diffused
350	R3	56350	161	Frosted
400	R3	68000	170	Diffused
400	R3	64400	161	Frosted

CRI	CCT	Output
80	5000K	100%
	4000K	99%
	3000K	90%
90	5000K	91%
	4000K	90%
	3000K	81%

Lens	Output
Diffused	100%
Frosted	95%

Emergency Battery Pack	Output Lumens
20W	3000
30W	4500
40W	6000

Weight

Size	Weight	Size	Weight
R0	5.5lbs (2.5kg)	R2	10.2lbs (4.7kg)
R1	8.5lbs (3.9kg)	R3	13.5lbs (6.2kg)