



# SLLB LED LINEAR LUMINAIRE

Project:	
Type:	
Note:	

## DESCRIPTION

The Starco SLLB is a well designed LED luminaire suitable for a variety of applications and a balanced mixture of high performance and value. Applications include manufacturing, warehouses, distribution and convention centers, gymnasiums and other large indoor spaces. SLLB is ideal to replace traditional linear vapor proof fluorescent fixtures in industrial and commercial buildings with uncompromised quality and reliability. Multiple lumen outputs and electrical and control options make SLLB practical, as well as versatile. SLLB offers a range of lumen packages from 2,800 to 6,800 lumens and delivers up to 145 lumens per watt for maximum rebate eligibility and years of free maintenance.



## SPECIFICATION FEATURES

### Construction & Materials

- Extruded aluminum heatsink maximizes LED lifetime and optimal performance
- Durable white-painted center driver channel
- Heavy-gauge 5VA flammability classified plastic end caps
- Light weight design allows for a less obtrusive installation
- Includes bracket for surface mount and optional adjustable bracket for directional surface mount.
- IP65 Rated

### Electrical System

- High efficiency driver
- Input Voltage: 120-277V, 347V/480V optional, 50/60Hz
- Operating Temperature: -30°C (-22°F) to 55°C (131°F)
- 0-10V Continuous dimming to 10%
- Non Flickering (Flicker rate <3%)
- Power Factor: >0.95
- Total Harmonic Distortion: <15%
- Surge Protection: 3kV
- Fast-Fuse Technology

### Optical System

- High impact polycarbonate optics provides even distribution
- Frosted lens provides maximum glare reduction

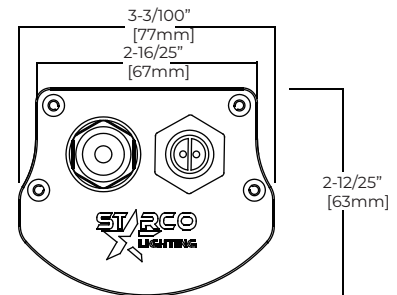
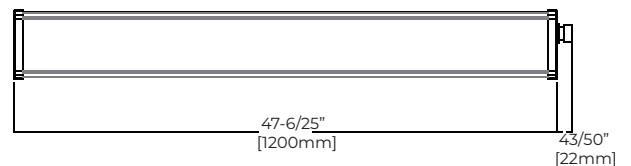
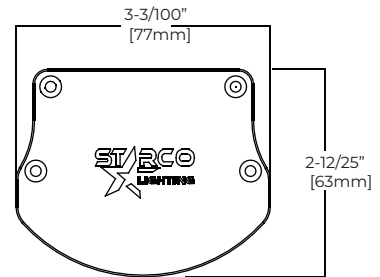
### LED

- CRI: 80+
- CCT: 3000K, 4000K, 5000K
- Calculated L<sub>70</sub> Lifetime: 306,000 hours @25°C
- Reported L<sub>90</sub> Lifetime: 89,000 hours @25°C

### Warranty

- 10 Years

## DIMENSION



**ORDER INFORMATION**

**SLLB LED LINEAR LUMINAIRE**

Example: SLLB-45-S4-F-50-65-D-C

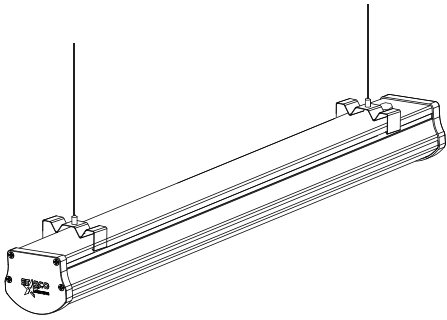
SLLB							
Series	Wattage	Size	Optics	CCT	IP Rating	Dimming	Mount
SLLB=LED Linear	21=21W 23=23W 25=25W 32=32W 35=38W 38=38W 41=41W 45=45W	S4=4ft	F=Frosted D=Diffused	30=3000K 40=4000K 50=5000K	65=IP65	D=0-10V Dimming P=PWM Dimming N=None dimming	H=Suspended mount C=Surface mount
Accessories							
SLHB5VKCS=3ft hanging chain		L7-15PLUG=277V twist lock L7-15P plug		SLLBAB=Adjustable bracket for surface mount			
AC10=10ft aircraft cable/hook		FSIR-100=Sensor remote controller					
AC15=15ft aircraft cable/hook		PC-1-LC-3-6=120V PLUG-N-GO and 6' whip and 3 conductors					
WP10=10ft whip 16AWG		PC-2-LC-5-3=277V PLUG-N-GO and 3' whip and 5 conductors					

**PERFORMANCE DATA**

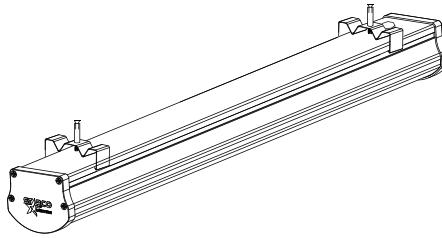
Model	Wattage	CCT	Size	Lumen Output	
				Frosted	Diffused
SLLB-21-4-Y-30-ZK	21	3000K	4'	2835	2948
SLLB-21-4-Y-40-ZK	21	4000K	4'	2940	3058
SLLB-21-4-Y-50-ZK	21	5000K	4'	3045	3167
SLLB-23-4-Y-30-ZK	23	3000K	4'	3105	3229
SLLB-23-4-Y-40-ZK	23	4000K	4'	3220	3349
SLLB-23-4-Y-50-ZK	23	5000K	4'	3335	3468
SLLB-25-4-Y-30-ZK	25	3000K	4'	3375	3510
SLLB-25-4-Y-40-ZK	25	4000K	4'	3500	3640
SLLB-25-4-Y-50-ZK	25	5000K	4'	3625	3770
SLLB-32-4-Y-30-ZK	32	3000K	4'	4320	4493
SLLB-32-4-Y-40-ZK	32	4000K	4'	4480	4659
SLLB-32-4-Y-50-ZK	32	5000K	4'	4640	4826
SLLB-35-4-Y-30-ZK	35	3000K	4'	4725	4914
SLLB-35-4-Y-40-ZK	35	4000K	4'	4900	5096
SLLB-35-4-Y-50-ZK	35	5000K	4'	5075	5278
SLLB-38-4-Y-30-ZK	38	3000K	4'	5130	5335
SLLB-38-4-Y-40-ZK	38	4000K	4'	5320	5533
SLLB-38-4-Y-50-ZK	38	5000K	4'	5510	5730
SLLB-41-4-Y-30-ZK	41	3000K	4'	5535	5756
SLLB-41-4-Y-40-ZK	41	4000K	4'	5740	5970
SLLB-41-4-Y-50-ZK	41	5000K	4'	5945	6183
SLLB-45-4-Y-30-ZK	45	3000K	4'	6075	6318
SLLB-45-4-Y-40-ZK	45	4000K	4'	6300	6552
SLLB-45-4-Y-50-ZK	45	5000K	4'	6318	6786

\*"Y" can be F for Frosted, and D for Diffused.

Suspended Mount



Surface Mount



Surface Mount with adjustable bracket

