



SLLB LED LINEAR LUMINAIRE

Project:	
Type:	
Note:	

DESCRIPTION

The Starco SLLB is a well designed LED luminaire suitable for a variety of applications and a balanced mixture of high performance and value. Applications include manufacturing, warehouses, distribution and convention centers, gymnasiums and other large indoor spaces. SLLB is ideal to replace traditional linear vapor proof fluorescent fixtures in industrial and commercial buildings with uncompromised quality and reliability. Multiple lumen outputs and electrical and control options make SLLB practical, as well as versatile. SLLB offers a range of lumen packages from 3,300 to 16,500 lumens and delivers up to 150 lumens per watt for maximum rebate eligibility and years of free maintenance.



SPECIFICATION FEATURES

Construction & Materials

- Extruded aluminum heatsink maximizes LED lifetime and optimal performance
- Durable white-painted center driver channel
- Heavy-gauge 5VA flammability classified plastic end caps
- Light weight design allows for a less obtrusive installation
- Includes bracket for surface mount and optional adjustable bracket for directional surface mount.
- IP65 Rated

Electrical System

- High efficiency driver
- Input Voltage: 120-277V, 347V/480V optional, 50/60Hz
- Operating Temperature: -30°C (-22°F) to 55°C (131°F)
- 0-10V Continuous dimming to 10%
- Non Flickering (Flicker rate <3%)
- Power Factor: >0.95
- Total Harmonic Distortion: <15%
- Surge Protection: 3kV
- Fast-Fuse Technology

Optical System

- High impact polycarbonate optics provides even distribution
- Frosted lens provides maximum glare reduction

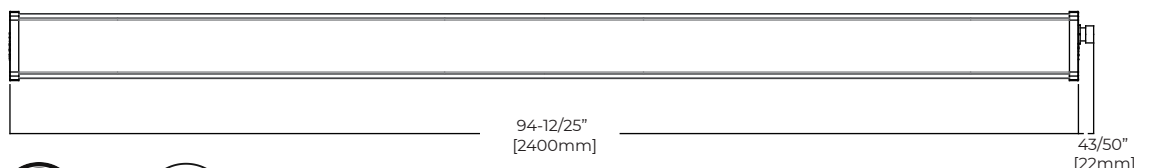
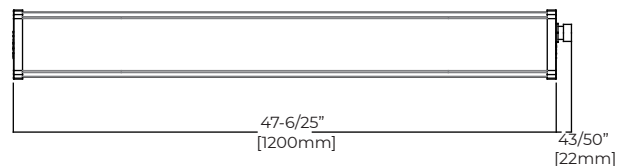
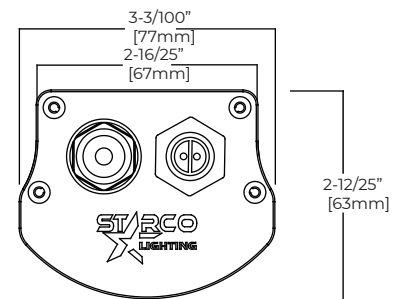
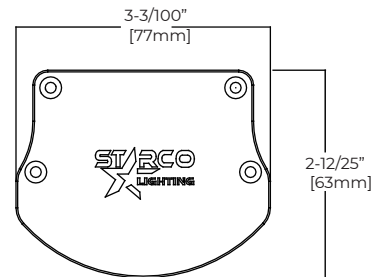
LED

- CRI: 80+
- CCT: 3000K, 4000K, 5000K
- Calculated L₇₀ Lifetime: 306,000 hours @25°C
- Reported L₉₀ Lifetime: 89,000 hours @25°C

Warranty

- 10 Years

DIMENSION



ORDER INFORMATION

SLLB LED LINEAR LUMINAIRE

Example: SLLB-45-S4-F-50-65-D-C

SLLB							
Series	Wattage	Size	Optics	CCT	IP Rating	Dimming	Mount
SLLB=LED Linear	25=25W 35=35W 45=45W 55=55W 50=50W 70=70W 90=90W 110=110W	S4=4ft S8=8ft	F=Frosted D=Diffused	30=3000K 40=4000K 50=5000K	65=IP65	D=0-10V Dimming N=None dimming	H=Suspended mount C=Surface mount

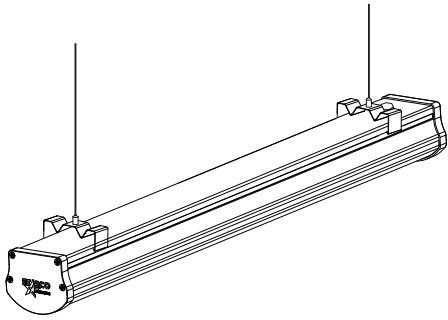
Accessories

- SLHBSVKCS=3ft hanging chain
- ACxx=Aircraft Cable/Hook xx-length in ft.
- LWPxx=16AWG Plugin Whip xx-length in ft.
- DCxx= Dimming Cable xx-length in ft.
- Lx-15P=Twist Lock Plug, x=5or7 for 120 or 277
- x-15P= Straight Plug, x=5or7 for 120 or 277
- AT480=480V Autotransformer
- EMDxx=Emergency Battery Pack xx-20 or 30 Watts
- EMR=UL 924 emergency wired relay
- MCable=Modular Plug&Go Cabling (further specification needed)
- SLLBAB-x= Adjustable Mounting Bracket x-diameter of hole in.
- LVDC-A019= Rotary Low Voltage Dimmer

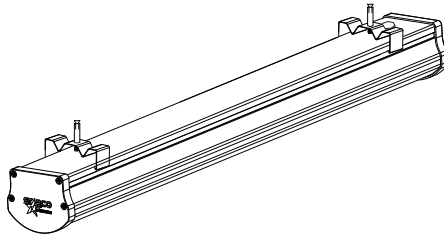
PERFORMANCE DATA

Size	Wattage		CCT	Lumen Output	
	120-277V	347-480V		Frosted	Diffused
4 FT	25	27	3000K	3375	3510
	25	27	4000K	3500	3640
	25	27	5000K	3625	3770
	35	37	3000K	4725	4914
	35	37	4000K	4900	5096
	35	37	5000K	5075	5278
	45	49	3000K	6075	6318
	45	49	4000K	6300	6552
	45	49	5000K	6518	6786
	55	61	3000K	7425	7722
	55	61	4000K	7700	8008
8 FT	50	55	3000K	6750	7020
	50	55	4000K	7000	7280
	50	55	5000K	7250	7540
	70	77	3000K	9450	9828
	70	77	4000K	9800	10192
	70	77	5000K	10150	10556
	90	98	3000K	12150	12636
	90	98	4000K	12600	13104
	90	98	5000K	13036	13572
	110	121	3000K	14850	15444
	110	121	4000K	15400	16016
110	121	5000K	15950	16588	

Suspended Mount



Surface Mount



Surface Mount with adjustable bracket

