



SLGL LED GROW LIGHT

DESCRIPTION

The Starco SLGL is a well designed LED linear grow light suitable for indoor hydroponic cannabis growing with full spectrum. SLGL is a high performance solution for commercial horticulture cultivation designed for commercial growers to push the envelope with high PPF requirements.

SPECIFICATION FEATURES

Construction & Materials

- Aluminum heatsinks maximize LED lifetime and optimal performance
- Remote driver enables convenient installation.
- Light weight design allows for a less obtrusive installation
- Includes aircraft cables for suspended mount; optional bracket for pendent and surface mount

Electrical System

- High efficiency driver
- Input Voltage: 120-277V, 50/60Hz
- Operating Temperature: -20°C (-4°F) to 40°C (104°F)
- 0-10V Continuous dimming
- Power Factor: >0.90
- Total Harmonic Distortion: <20%
- Suitable for dry and damp locations

LED

- Photon Flux Maintenance: Calculated L90 > 40,000 hrs
- Osram and Samsung LEDs

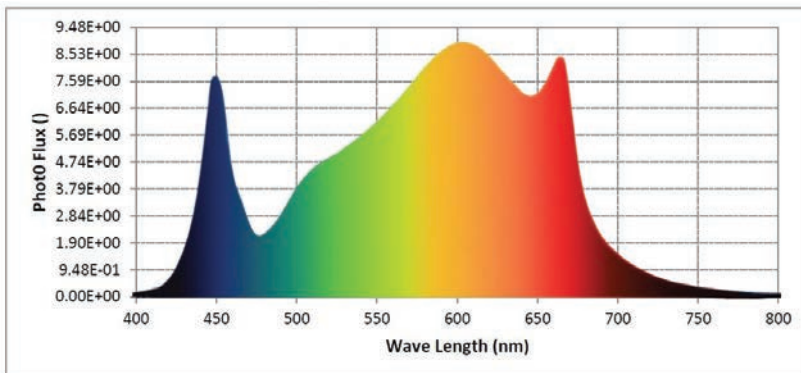
Certification

- Certified by UL 8800 Horticulture Lighting
- DLC Horticulture

Warranty

5 Years

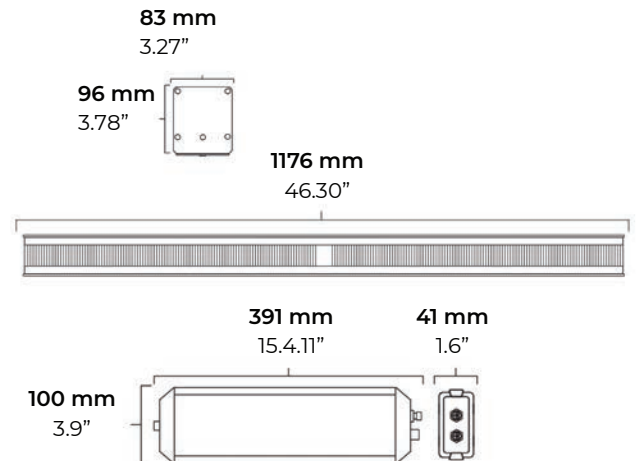
Spectrum



Project:	
Type:	
Note:	



DIMENSION



ORDER INFORMATION

SLLGL LED GROW

Example: SLLGL-630-R-FS-D-W

SLGL					
Series	Wattage	Input Voltage	Spectrum	Dimming	Finish
SLLGL =LED Linear Grow Light	320 =320W 630 =630W	R =120-277V	FS =Full Spectrum DS = Dual Spec CS = Custom Spec	D =0-10V Dimming	W =White Finish
Accessories (Included)					
(1) Data Cord (2) Bolts (2) V-hooks (2) Adjustable Pulley Systems		(4) Aircraft Cables			

PERFORMANCE DATA

AC Input Power	320W, 630W
Light Output PPF	320W: 870 $\mu\text{mol/s}$ 630W: 1700 $\mu\text{mol/s}$
AC Input Voltage	120-277V, 50/60 Hz
Light Distribution	120°
PPE	2.72 $\mu\text{mol/J}$
Power Factor	> 0.9
Control	0-10V Dimming
Operating Temperature	-20°C to 50°C
Certification	UL 8800, DLC
THD	<20%
Warranty	5 Year
Photon Maintenance Q90	>40,000 hours