

Installation Instruction - SLLA LED Architectural Linear

Warning, cautions and operating instructions

- To reduce the risk of death, personal injury or property damage from fire, electric shock, falling parts, cuts/abrasions, and other hazards read all warnings and instructions included with and on the fixture box and all fixture labels.
- Before installing, servicing, or performing routine maintenance upon this equipment, follow these general precautions.
- Commercial installation, service and maintenance of luminaires should be performed by a qualified licensed electrician.
- For the installation: If you are unsure about the installation or maintenance of the luminaires, consult a qualified licensed electrician and check your local electrical code.
- To prevent wiring damage or abrasion, do not expose wiring to edges of sheet metal or other sharp objects.
- Do not make or alter any open holes in an enclosure of wiring or electrical components during kit installation.

Warning: Risk of fire or electrical shock

- Turn off electrical power at fuse or circuit breaker box before wiring fixture to the power supply.
- Turn off the power when you perform any maintenance.
- Verify that supply voltage is correct by comparing it with the luminaire label information.
- Make all electrical and grounded connections in accordance with the National Electrical Code and any applicable local code requirements.
- All wiring connections should be capped with UL approved wire connectors.

Caution: Risk of injury

- Avoid direct eye exposure to the light source while it is on.
- Account for small parts and destroy packing material, as these may be hazardous to children.
- Risk of burn. Disconnect power and allow fixture to cool before changing bulb or handling fixture.

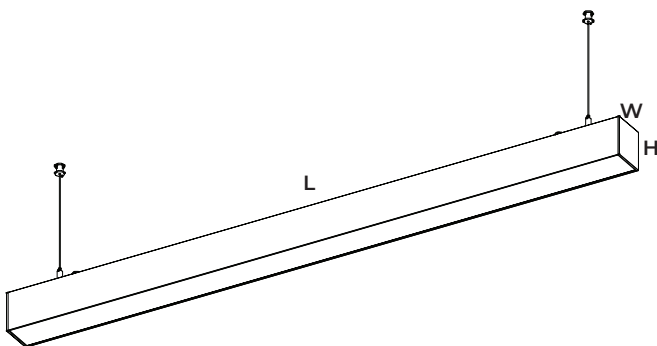
NOTICE: Green ground screw provided in proper location. Do not relocate.

NOTICE: Minimum 90°C supply conductors.

NOTICE: Specifications and dimensions subject to change without notice.

NOTICE: Suitable for Dry or Damp location, Type IC.

Dimensions

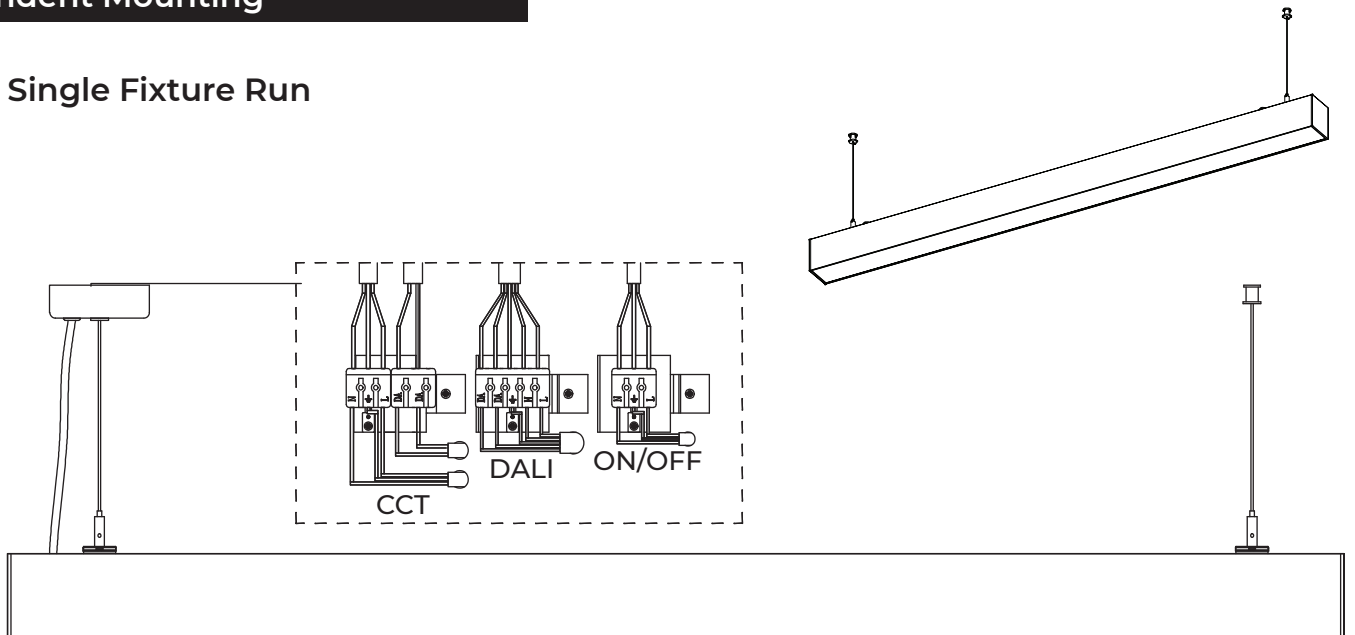


Model	L	W	H
2'	23.86"	2.7"/2.3"	3.15"
3'	35.43"	2.7"/2.3"	3.15"
4'	47.78"	2.7"/2.3"	3.15"
8'	94.72"	2.7"/2.3"	3.15"

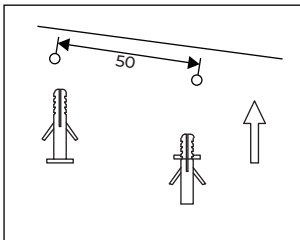
Installation Instruction - SLLA LED Architectural Linear

Pendent Mounting

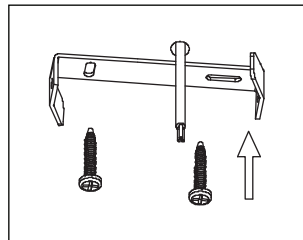
Single Fixture Run



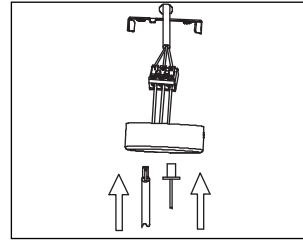
1. Mount the base.



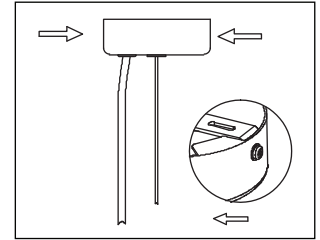
Step 1.



Step 2.

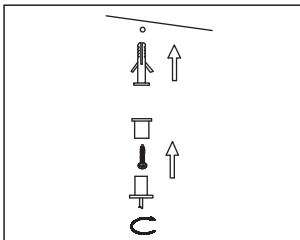


Step 3.

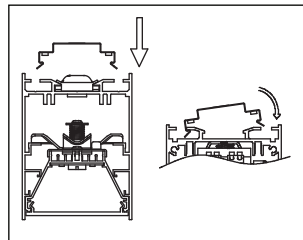


Step 4.

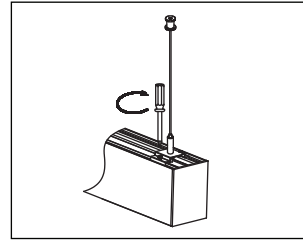
2. Mount the fixture.



Step 5.



Step 6.

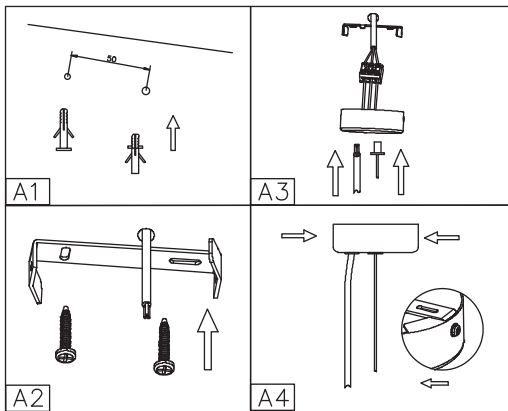
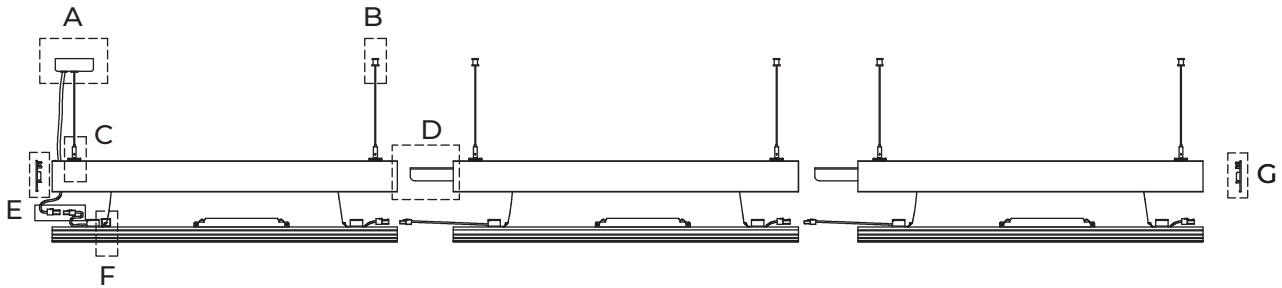


Step 7.

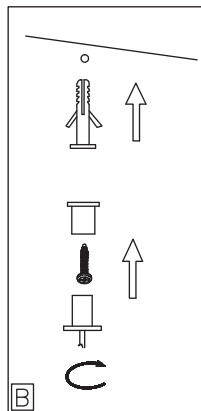
Installation Instruction - SLA LED Architectural Linear

Pendent Mounting

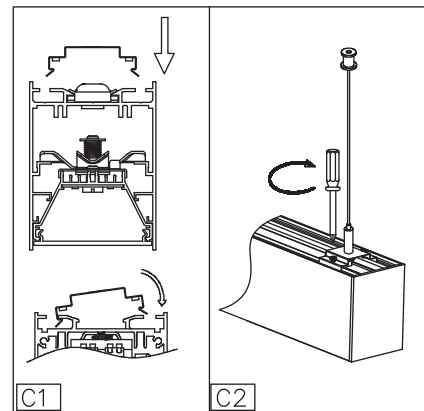
Continuous Fixture Run



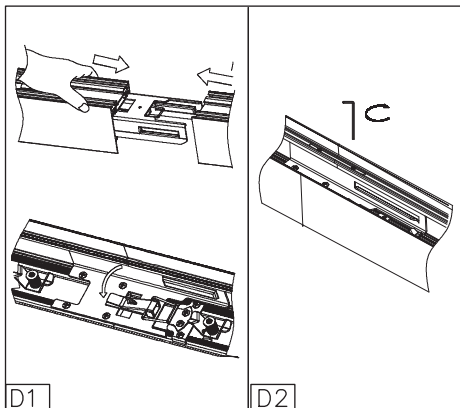
A



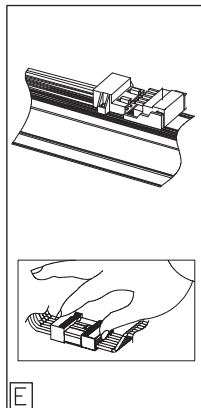
B



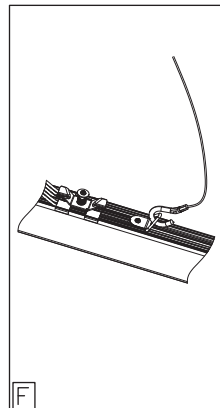
C



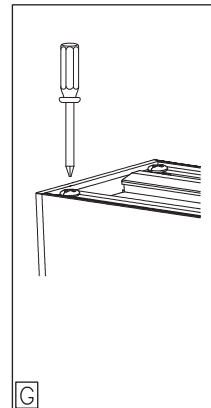
D



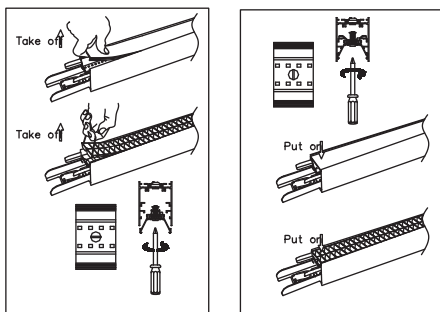
E



F

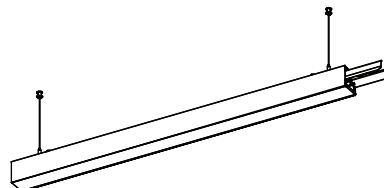


G



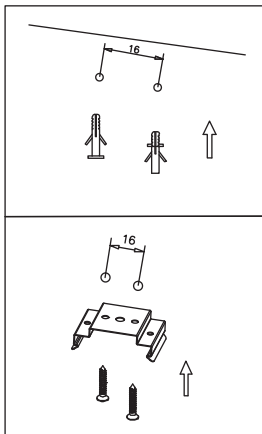
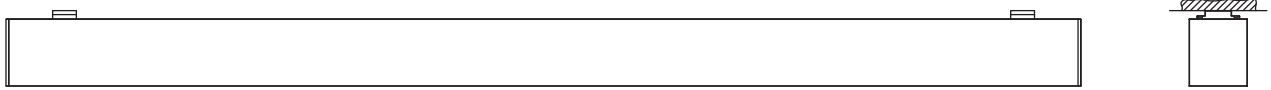
Installation Note:

To access the wiring compartment for continuous connection, remove the lens and LED module carefully prior to installation. Reinstall securely after completing electrical connections.

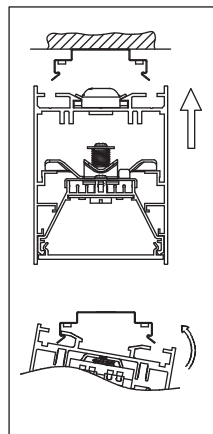


Installation Instruction - SLLA LED Architectural Linear

Surface Mounting

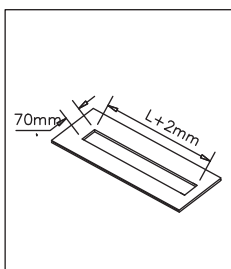
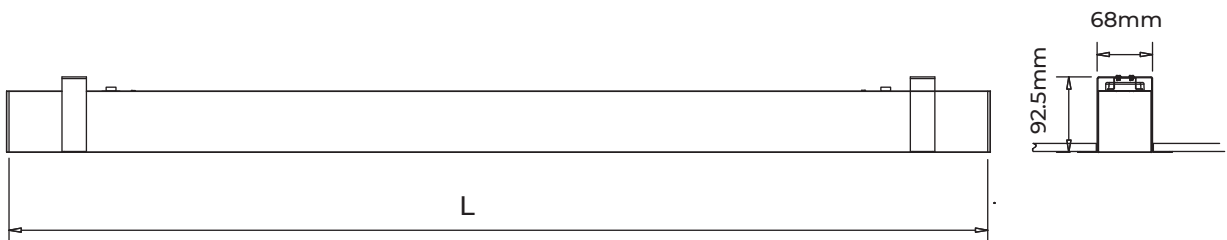


A

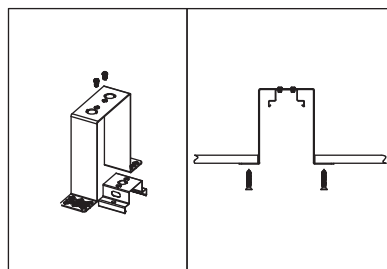


B

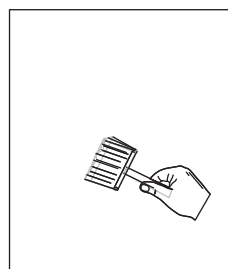
Recessed Mounting



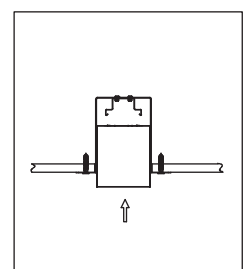
A



B



C

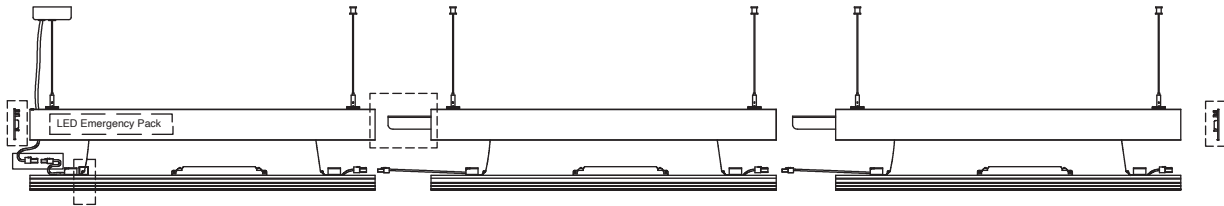


D

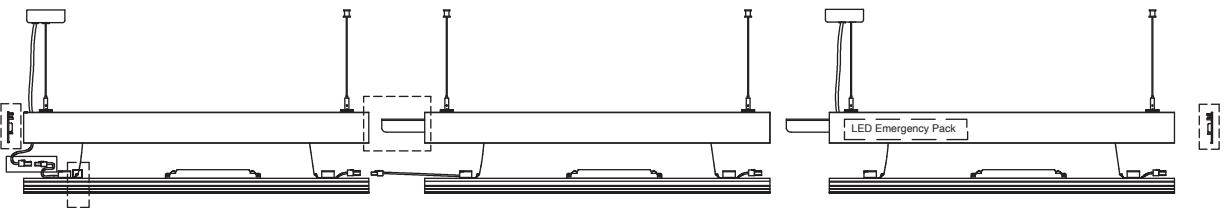
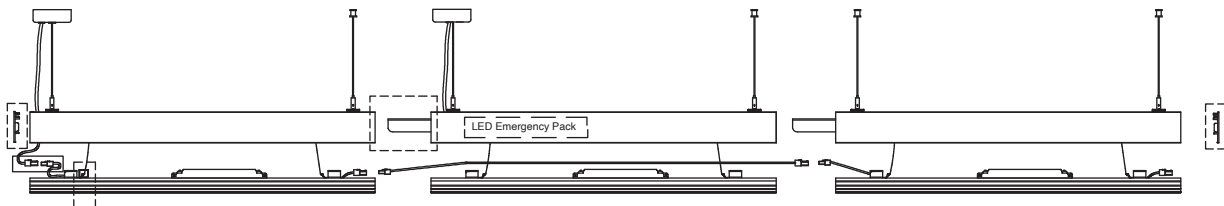
Installation Instruction - SLLA LED Architectural Linear

Emergency Wiring

First Fixture:

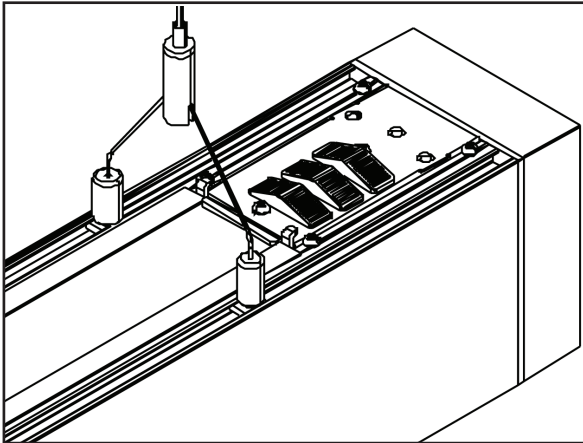


Non-First Fixture:

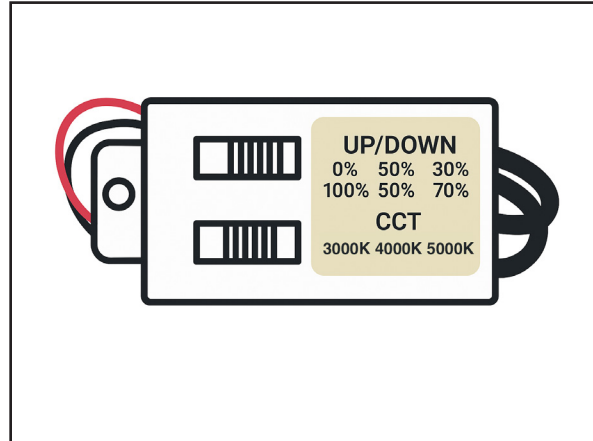


Installation Instruction - SLLA LED Architectural Linear

Selectable Switches



2.7"



2.3"

End users can adjust the color temperature and wattage using the three switches located on the back of the fixture.

Each switch offers multiple positions, corresponding to different color temperatures and wattage and light distribution options.

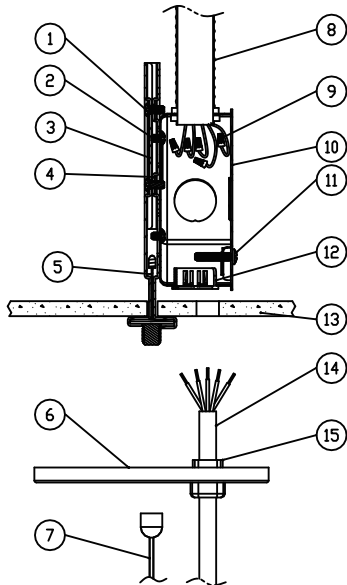
These settings allow for customized combinations of color temperature, light output and light distributions.

1. The switches are located on the back of the fixture.
2. Select the desired wattage and color temperature and light distribution by sliding the switches accordingly.

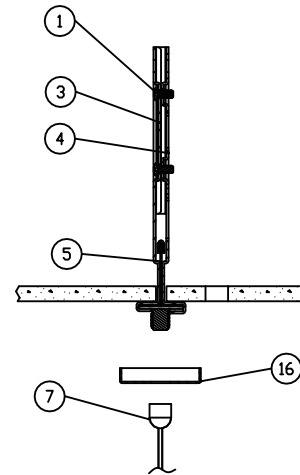
Installation Instruction - SLLA LED Architectural Linear

Ceiling Grid Pendant Mounting

Power End



Non-Power End



1.M4*8MM screws x 4PCS

2. Single Bar x 2PCS

3.T-GRID bracket x 2PCS

4.T-GRID fixed bracket x 2PCS

5.T-GRID(other provided)

6.5-inch canopy x 1 PC

7.Aircraft cables x 2PCS

8.Armored Cable & Connector
(other provided)

9.Wire Nut (other provided)

10.Junction box (other provided)

11.8#-32*1-3/4 screws
(other provided)

12.Plastic Grommet x 1PC

13.Ceiling Tile(other provided)

14.AC power cord(other provided)

15.Cable tie x 2PCS

16. 5inch canopy x 1PC