

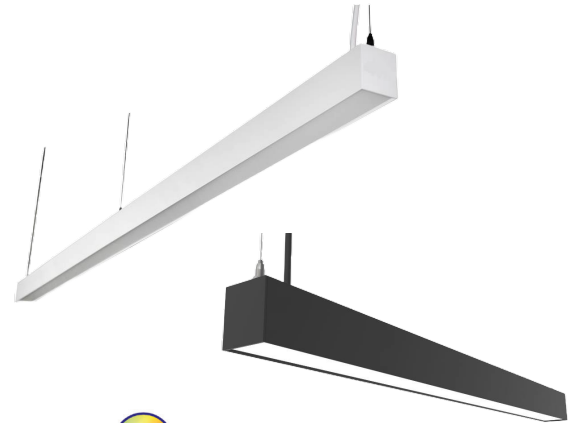


SLLA - LED ARCHITECTURAL LINEAR

Project:	
Type:	
Note:	

DESCRIPTION

The Starco SLLA LED Architectural Linear Light is a sleek and modern lighting solution designed for commercial and architectural applications. With its slim profile and customizable lengths, the SLLA offers uniform, high-quality illumination ideal for office spaces, retail environments, and public areas. Its energy-efficient LED technology provides both direct and indirect lighting options, ensuring optimal performance while reducing power consumption. The fixture is available in a variety of color temperatures and dimming capabilities, allowing for seamless integration into any lighting design. Durable and versatile, the SLLA enhances the aesthetics and functionality of any space.



SPECIFICATION FEATURES

Construction & Materials

- Extruded aluminum maximizes LED lifetime and optimal performance
- Light weight design allows for a less obtrusive installation
- Customized length up to 56ft

Electrical System

- High efficiency driver
- Input Voltage: 120-277V, 120-347V optional, 50/60Hz
- Operating Temperature: -20°C (-4°F) to 40°C (104°F)
- 0-10V Continuous dimming to 1%
- Power Factor: >0.90
- Total Harmonic Distortion: <15%

Optical System

- High impact polycarbonate optics provides even distribution
- Frosted lens provides maximum glare reduction

LED

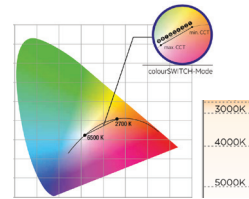
- CRI: 80/90/95
- Color Tunable 2700K to 5000K
- Calculated L₇₀ Lifetime: 306,000 hours @25°C
- Reported L₃₀ Lifetime: 89,000 hours @25°C

Control

- Bluetooth motion & daylight sensor

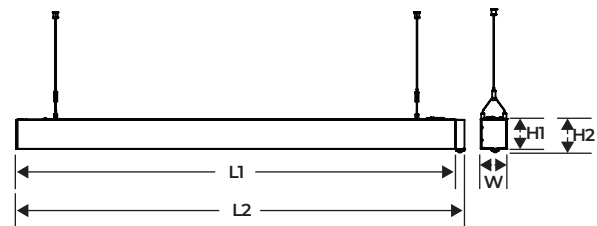
Warranty

- 10 Years



DR Dynamic Range 3000K to 5000K

DIMENSION



Size	2FT	3FT	4FT	8FT
L1	23.86"	35.43"	47.48"	94.72"
L2	24.96"	36.53"	48.58"	95.82"
H1	3.15"	3.15"	3.15"	3.15"
H2	3.55"	3.55"	3.55"	3.55"
W	2.3"/2.7"/ 3.75"/4"	2.3"/2.7"/ 3.75"/4"	2.3"/2.7"/ 3.75"/4"	2.3"/2.7"/ 3.75"/4"

*Refer to page#3 for dimensions of Connector Moduleless.



ORDER INFORMATION

SLLA LED ARCHITECTURAL LINEAR

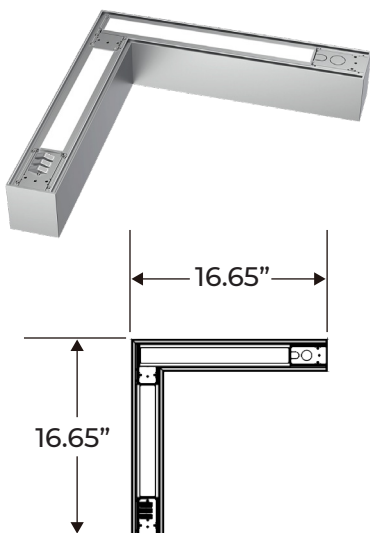
Example: SLLA-4-4-35-90-SD-HE-WH-U-27-480-480-D

SLLA	Total Length	Max Section Length	CCT	CRI	Driver
SLLA=LED Architectural Linear	BLANK=Connector Modules 2=2ft 3=3ft 4=4ft 5=5ft 6=6ft ... 56=56ft <i>*Max 7 luminaire row length increments for single power feed. Max. 56ft</i>	BLANK=Connector Modules 2=2ft 3=3ft 4=4ft 8=8ft <i>*Refer to Width below for Connector Modules.</i>	27=2700K 30=3000K 35=3500K 40=4000K 50=5000K CS=CCT Selectable 3000/3500/4000K DR=Dynamic Color Tunable Range <i>*DR requires wireless BLE tunable driver (TD)</i>	80=80CRI 90=90CRI 95=95CRI	SD=Standard Driver Selectable, 0-10V Dim TD= Wireless BLE Tunable Driver

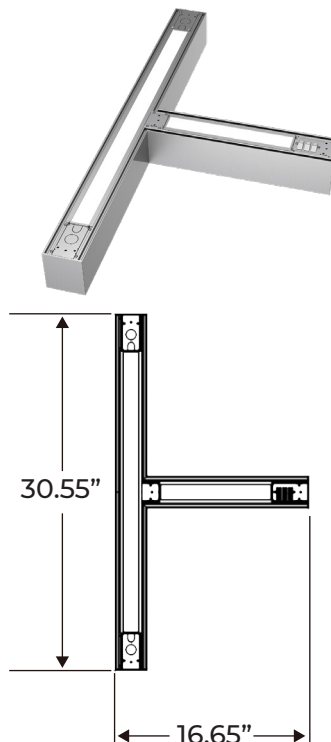
HE	Color	Voltage	Width	Down Module	Up Module	Dimming
HE=High Efficacy 140 LPW <i>*Efficacy is based on 4000K 80CRI with frosted lens and White housing. Reference Lumen table for more detail.</i>	BL=Black SL=Silver WH=White CS=Custom Color <i>*Contact us for custom color finish options.</i>	U=120-277V H=120-347V	23=2.3"	Blank=0lm/ft 320=320lm/ft 450=450lm/ft 650=650lm/ft 850=850lm/ft 1100=1100lm/ft	Blank=0lm/ft 200=200lm/ft 320=320lm/ft 450=450lm/ft 550=550lm/ft 1000=1000lm/ft	O=No Dimming D=0-10V Dimming to 1%
			27=2.7"	Blank=0lm/ft 380=380lm/ft 480=480lm/ft 750=750lm/ft 970=970lm/ft 1200=1200lm/ft	Blank=0lm/ft 220=220lm/ft 380=380lm/ft 480=480lm/ft 650=650lm/ft 1100=1100lm/ft	
			37=3.75"	Blank=0lm/ft 500=500lm/ft 750=750lm/ft 1000=1000lm/ft 1250=1250lm/ft	Blank=0lm/ft 250=250lm/ft 500=500lm/ft 750=750lm/ft 1000=1000lm/ft	
			40=4.0"	Blank=0lm/ft 500=500lm/ft 750=750lm/ft 1000=1000lm/ft 1250=1250lm/ft	Blank=0lm/ft 250=250lm/ft 500=500lm/ft 750=750lm/ft 1000=1000lm/ft	
			Connector Modules: L=L Connector Modules T=T Connector Modules X=X Connector Modules	<i>*Connector Performance shall match the linear fixtured specified.</i> <i>*Lumen Output is based on 4000K 80CRI with frosted lens and White housing. Reference Lumen table for more detail.</i>	<i>*Connector Performance shall match the linear fixtured specified.</i> <i>*Lumen Output is based on 4000K 80CRI with frosted lens and White housing. Reference Lumen table for more detail.</i>	

Down Module Lens	Up Module Lens
<p>Blank=PC Frosted Lens PF=Prismatic Frosted Lens BL=Black Louver Lens SL=Silver Louver Lens WL=White Louver Lens BH=Black Honeycomb Lens SH=Black Honeycomb Lens WH=Black Honeycomb Lens</p>	<p>Blank=PC Frosted Lens BT=Batwing Frosted Lens</p>
Accessories	
<p>Wireless Accessories</p> <p>Sensors CYF=DC powered dual channel PIR motion & light sensor</p> <p>Switches CAI=AC powered interface for push, toggle and rotary switches CIV=Wireless 4 button switch CTV=Wireless 5 button switch RTS=Wireless 8 function Rotary Switch</p> <p>Gateway & Extenders WLUNE=Beacon & range extender ENORE=Gateway with ethernet & RTC</p> <p>Emergency Inverters EMDW-10=10W Emergency Inverter Wireless Pack EMDW-20=20W Emergency Inverter Wireless Pack</p>	<p>Standard Accessories</p> <p>Emergency Inverters EMD-10=10W Emergency Inverter Pack EMD-20=20W Emergency Inverter Pack</p> <p>Dimmers LVDC-A019=Rotary 0-10V Dimmer</p> <p>Kits PMK=Pendent Mount Kit TPK=T-Grid Pendent Mount Kit SMK=Surface Mount Kit WMK=Wall Mount Kit RMK=Recessed Mount Kit LB=Link Bracket</p> <p><i>*Fixtures come standard with a PMK pendant mounting kit.</i></p>

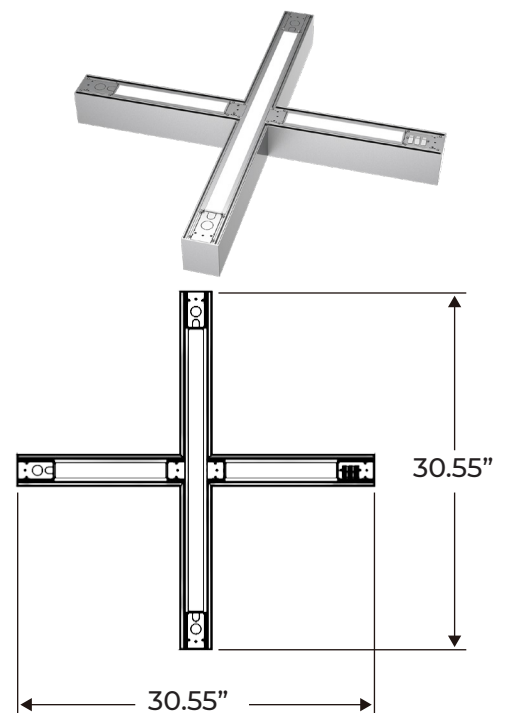
L-Connector Module



T-Connector Module



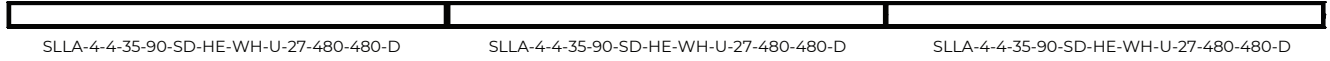
X-Connector Module



Composition

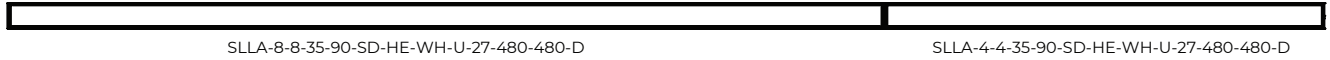
Example: SLLA-12-4-35-90-SD-HE-WH-U-27-480-480-D

In this case, (1) SLLA-12-4-35-90-SD-HE-WH-U-27-480-480-D is composed by (3) SLLA-4-4-35-90-SD-HE-WH-U-27-480-480-D



Example: SLLA-12-8-35-90-SD-HE-WH-U-27-480-480-D

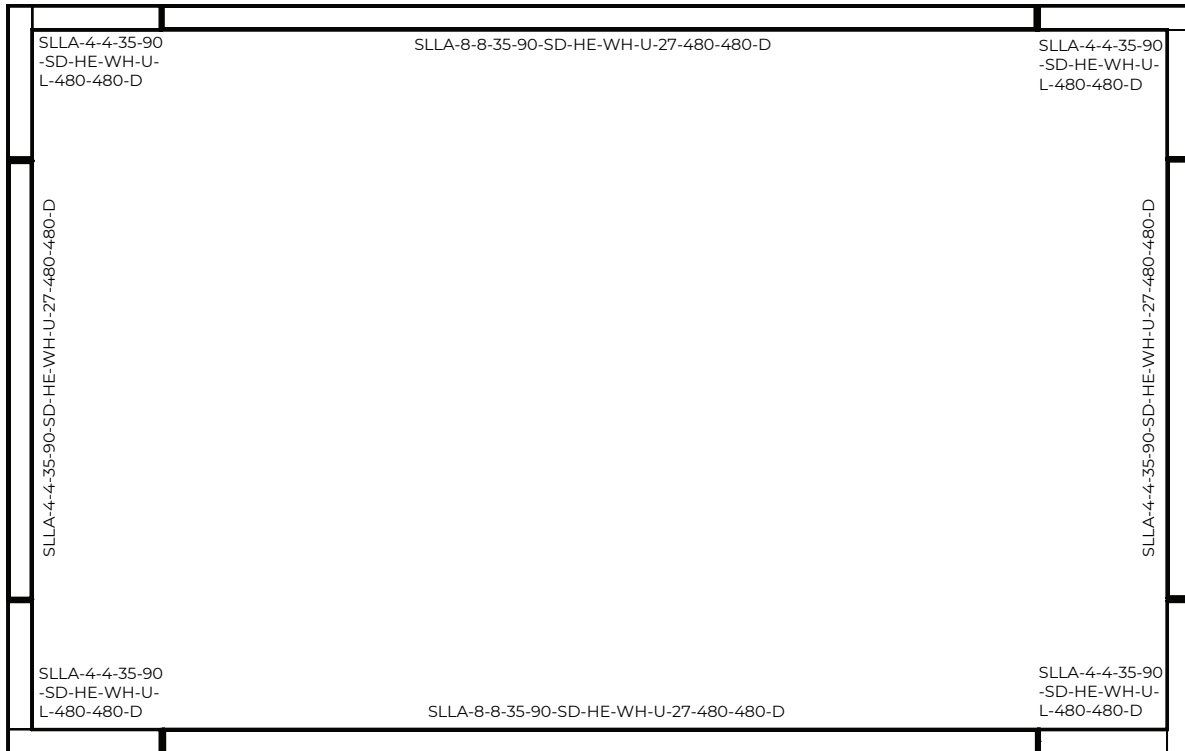
In this case, (1) SLLA-12-8-35-90-SD-HE-WH-U-27-480-480-D is composed by (1) SLLA-8-8-35-90-SD-HE-WH-U-27-480-480-D and (1) SLLA-4-4-35-90-SD-HE-WH-U-27-480-480-D



Example: Composition with L-Connector Modules.

To create configurations beyond standard linear runs, both linear fixtures and connector modules (e.g., L, T, X shapes) must be ordered separately. The following is an example configuration.

In this case, the fixture below can be composed by (2) SLLA-8-8-35-90-SD-HE-WH-U-27-480-480-D (2) SLLA-4-4-35-90-SD-HE-WH-U-27-480-480-D and (4) SLLA-4-4-35-90-SD-HE-WH-U-L-480-480-D

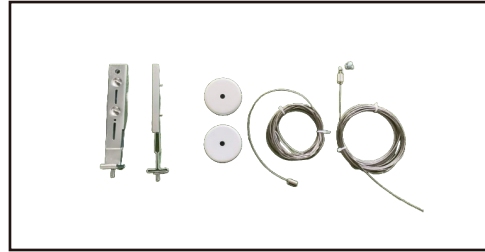
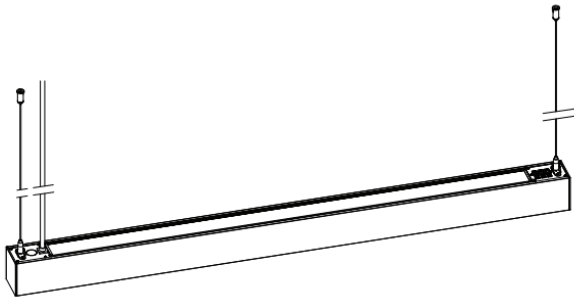


Width	Down Module Lumen/ft	Down Module Watt/ft	Down Module Efficacy	Up Module Lumen/ft	Up Module Watt/ft	Up Module Efficacy	CCT	CRI
2.3"	320	2.37	139	200	1.48	139	4000K	80
	450	3.33	138	320	2.37	138	4000K	80
	650	4.81	138	450	3.33	138	4000K	80
	850	6.30	137	550	4.07	137	4000K	80
	1100	8.15	132	1000	7.41	132	4000K	80
2.7"	380	2.81	139	220	1.63	139	4000K	80
	480	3.56	138	380	2.81	138	4000K	80
	750	5.56	137	480	3.56	137	4000K	80
	970	7.19	136	650	4.81	136	4000K	80
	1200	8.89	131	1100	8.15	131	4000K	80
3.75"	500	3.70	138	250	1.85	138	4000K	80
	750	5.56	137	500	3.70	137	4000K	80
	1000	7.41	133	750	5.56	133	4000K	80
	1250	9.26	131	1000	7.41	131	4000K	80
4.0"	500	3.73	138	250	1.87	138	4000K	80
	750	5.60	137	500	3.73	137	4000K	80
	1000	7.46	133	750	5.60	133	4000K	80
	1250	9.33	131	1000	7.46	131	4000K	80
Connector	Dimension	Down Module Total Watt	Down Module Efficacy	Dimension	Up Module Total Watt	Up Module Efficacy	CCT	CRI
L-Connector Module	16.65"x16.65"	8/10/13W	138	16.65"x16.65"	8/10/13W	138	4000K	80
T-Connector Module	16.65"x30.55"	13/15/18W	138	16.65"x30.55"	13/15/18W	138	4000K	80
X-Connector Module	30.55"x30.55"	15/19/25W	138	30.55"x30.55"	15/19/25W	138	4000K	80

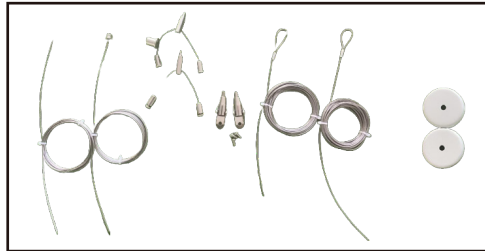
CCT Scaling Data

CRI	CCT	OUTPUT	CRI	CCT	OUTPUT	CRI	CCT	OUTPUT
80	5000K	101%	90	5000K	95%	95	5000K	89%
	4000K	100%		4000K	94%		4000K	88%
	3500K	98%		3500K	92%		3500K	87%
	3000K	95%		3000K	90%		3000K	86%
	2700K	94%		2700K	89%		2700K	85%

Pendant Mount



TPK - T-Grid Pendant Mounting Kit

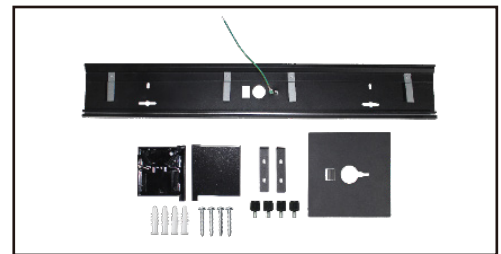


PMK - Pendant Mounting Kit

**For dry wall, hard ceiling and trunking system.*

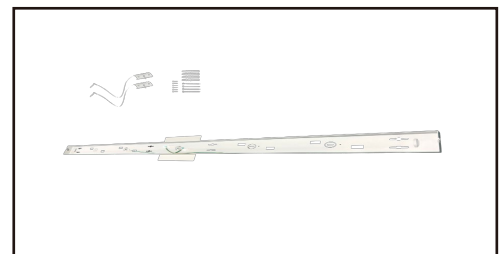
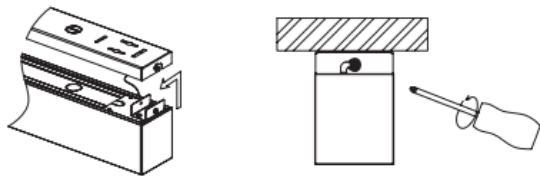
**Fixtures come standard with a PMK pendant mounting kit.*

Wall Mount



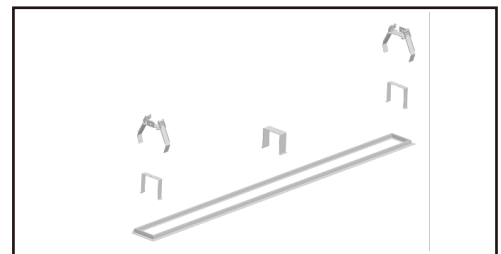
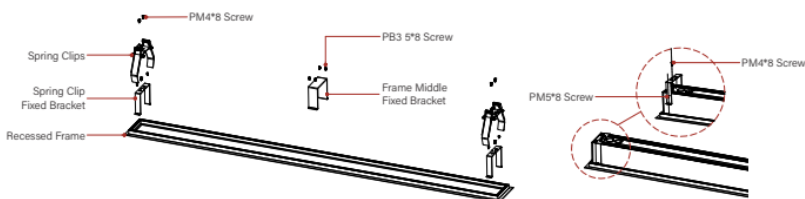
WMK - Wall Mounting Kit

Surface Mount



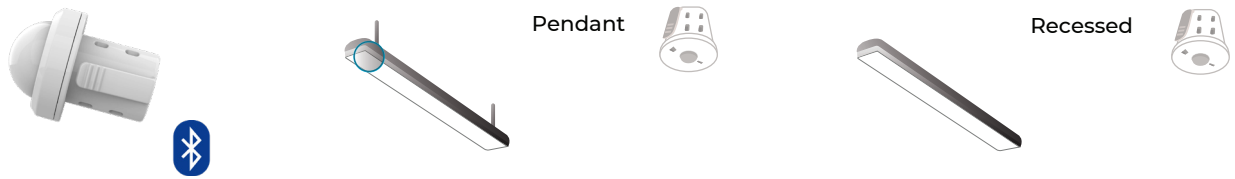
SMK - Surface Mounting Kit

Recessed Mount

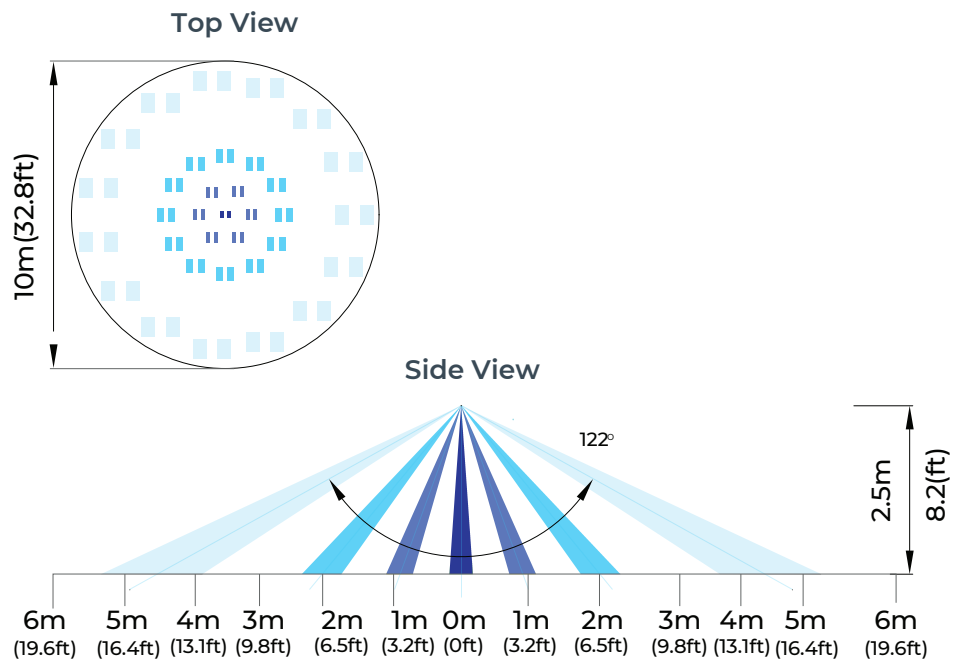


RMK - Recessed Mounting Kit

CYF - Motion & Daylight Sensor

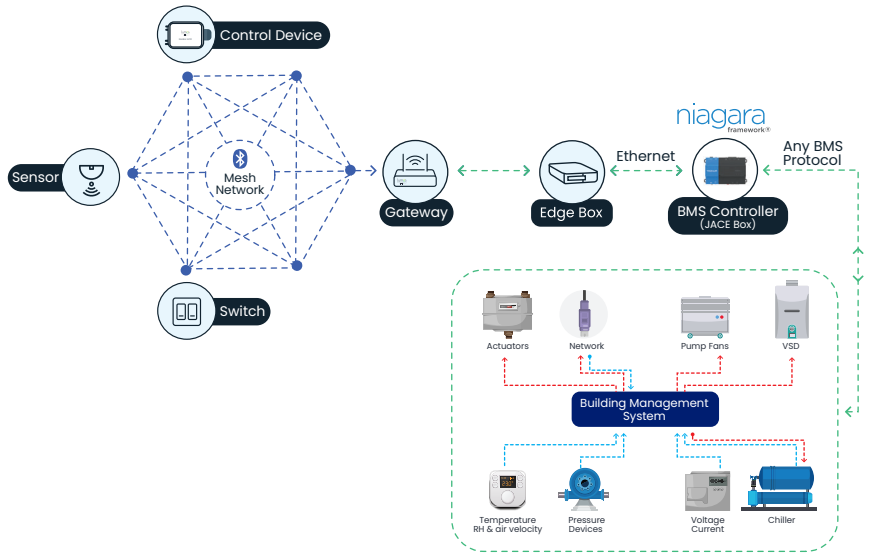


Sensor Coverage



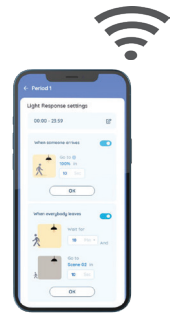
BMS Intergration

- Starco Control ecosystem leverages the Niagara framework to intergrate with any of the 120+ BMS protocols.
- Very simple to connect as plugging the two systems into a common Ethernet network.
- All data can be shared and BMS can monitor and control the lighting system.
- Adding OpendADR gateway, the customer can take advantage of any current or future utility demand response programs including peak pricing, capacity bidding and direct laod control



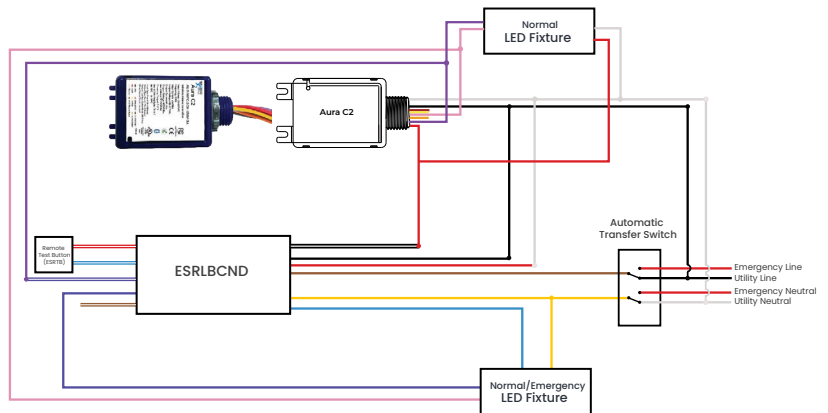
Mobile App

- For commission, configuration and controlling lighting networks including device replacement feature that makes commission easier.
- Setting up schedules, scenes and animations for individual devices or groups or zones
- Always get the latest features and improvements using OTA updates for devices
- Safe and reliable communication with AES 128-bit encryption and ensure safety using 4-digit code



Emergency Lighting Control

- UL924 Listed Aura C1/C2 provides transfer operation during a power outage.
- When there is power outage, the controller will receive power from the emergency source via the ATS. The AC/DC power supply will turn OFF due to power outage and the 0-10V input channel of the controller will not sense any voltage. When the controller detects this, it switches over to Emergency Mode where the fixtures will be lit at 100% intensity for 90 mins.
- The BLE wireless Emergency Inverter interfaces with a battery and LED driver to provide much more than just self-test functionality. It can provide emergency testing reports through the mobile app and also provide fault notifications as soon as one is detect



Radair AF10 - Wire description		
Line (Black)	12VDC (Yellow)	0-10V DIM1+ (Purple)
Neutral (White)	DIM- (Pink)	0-3V Sensor input (Brown)
Load (Red)	0-10V DIM2+ (Orange)	

ESRLBCND - Wire description		
Feedback/Dimmer Contacts	Remote Test Input	
NO (White/Violet)	White/Red	Normal Hot (Black)
C (Violet)	White/Blue	Normal Switched Hot (White/Black)
N/C (White/Brown)		Normal Neutral (Red)
		Emergency Neutral (Yellow)
		Emergency Hot (Brown)
		Emergency Hot to Load (Blue)



Emergency Battery Pack Options - Field Installable

Battery Model Number	Wattage	Runtime(minutes)	Lumen Output	Other
EMD(W)-10	10W	90	1300-1500	Self Diagnostic
EMD(W)-20	20W	90	2600-3000	Self Diagnostic

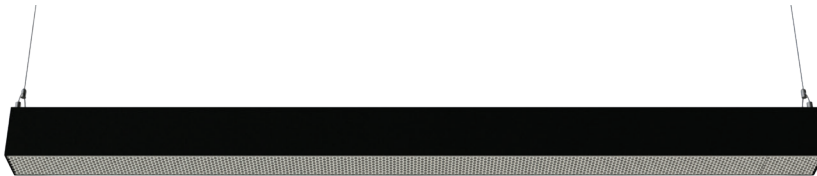
Lens and Body Finish

Below are some examples of available body finishes and lens options. From clean white and black to custom powder-coated colors, each finish enhances both durability and aesthetics. Lens choices include frosted for soft diffusion, and prismatic or louver and honeycomb designs for glare control—offering flexibility for performance and visual comfort.

White Finish, White Louver Lens



Black Finish, White Honeycomb Lens



White Finish, Black Louver Lens



Black Finish, Black Honeycomb Lens

