

Starco Lighting's LED Lighting Guide



Hardworking Lights For
Hardworking People





Hardworking Lights for Hardworking People

Reliable and Safe Retrofits for Demanding Applications

- Longest life direct-wire LED Tubes in the market.
- Corrosion-Resistant LED Tubes for Oil-based mist
- Rapid-Installation Fused Wiring Kits.
- Eliminating ballasts mitigates 90% of the electrical and safety issues.
- Fuse protection isolates electrical issues and protects your electrical infrastructure.
- Versatile retro-fits that maintain your facilities existing vandal-proof and custom fixtures setup.
- Best in industry Warranty: 8 year warranty at 24/7.
- Future-proof your fixtures. Why buy fixtures after 10 years? Upgrading is as easy as replacing lamps.



You need solutions FAST from a partner you can TRUST.



Starco delivers the product you need: when, where and how you need it.

Fast Shipment Program

The “Fast Shipment Program” enables low lead times on inventoried Starco Lighting Products. Starco carries millions of dollars of inventory and clearly delineates between what is and isn't in stock in its marketing material.

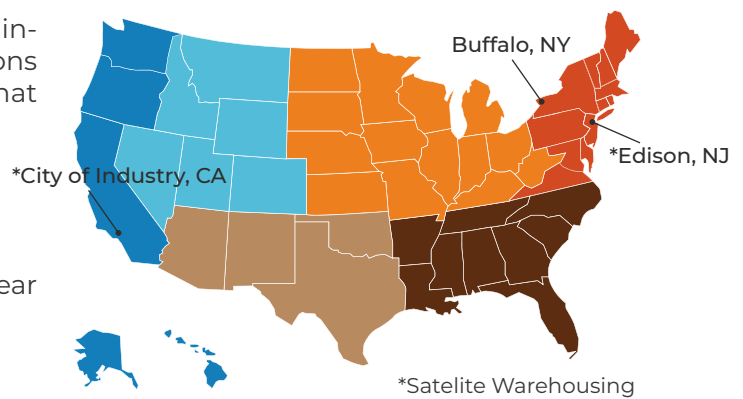
- 2-8ft T8 LED Lmaps
- Fast-Fuse Socket Kits
- TLED Ready High Bays
- Ask about our integrated LED High Bays and Linear Lights

Program Guidelines

Products in the Fast Shipment Program ship from Buffalo, NY within 36 business hours of Starco's receipt of your purchase order.

- Products ship Monday-Friday and will not be shipped on Holidays
- Place your Starco order by emailing orders@starcous.com before 12:00PM (EST)

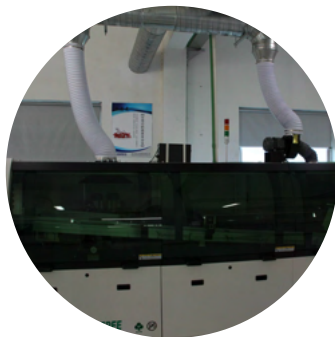
Some orders may exceed available inventory and will therefore be subject to standard lead time. Starco may make partial shipments to deliver products in a timely fashion.



We did not invent the light, We just made the light work harder.

Starco Lighting designs, manufactures, and tests all of our lighting in house. We are constantly advancing the market frontier by continually evaluating best-in-class technology advancements to incorporate into our products.

Starco's Linear LED retro-fit platform supports simple and seamless installation into facility infrastructures and enables future-proofing, application-proofing and controls integration. Our retrofit solutions are designed to last even in more demanding environments.





STARCO LIGHTING



CAPABILITY STATEMENT

DUNS NUMBER: 079785560
CAGE CODE: 9JAK6

COMPANY HISTORY

Founded in 2014, Starco Lighting specializes in advanced LED lighting solutions for industrial and commercial applications. Starco Lighting has over 500 employees and can manufacture 100K units per month. Starco Lighting delivers high-quality, energy-efficient systems, reducing energy consumption and enhancing operational efficiency.

CORE COMPETENCIES

Starco Lighting excels in advanced LED technology, creating innovative lighting systems for industrial, commercial, and agricultural use. Known for customizable solutions, such as corrosion resistant TLEDs, Bluetooth mesh wireless controlled LED luminaires, multi-spectrum grow lights for indoor farming, Starco optimizes energy efficiency, reducing consumption and costs with unique designs. Sustainability is key, producing eco-friendly lighting that conserves the environment. Under the leadership of experienced experts in energy technology and LED lighting, Starco delivers tailored solutions and outstanding service to meet the demands of Fortune 1000 companies and other clients.

PAST PERFORMANCE

- LED products specified by General Motors globally since 2016. Over 1 million LED products sold to General Motors.
- LED products specified by NYS DOCCS since 2017. Over 500K LED products sold to NYS DOCCS.
- LED products specified by NYS Schools and hospitals since 2018. Over 300K LED products sold to NYS Schools and hospitals.

COMPANY DATA

Over 500 employees globally
Factory Size: 500,000 sq ft
Founded in 2014

NAICS CODE

335132 Commercial, industrial and institutional Lighting manufacturing

335139 Electric Lamp bulb and other lighting equipment manufacturing

334290 Other Communications Equipment Manufacturing

CERTIFICATIONS

ISO 9001
Quality Management System

ISO 14001
Environment Management System

ISO 18001
Occupational Health Safety Management System

UL, CE, FCC, DLC Certified

ACCREDITATIONS

2023 Buffalo Business First Manufacturing Award Winner
2022 LEDs Magazine Brightstar Award Winner
2024 LEDs Magazine Brightstar Award Winner

Commercial & Industrial Facility Solutions



SCAN THIS
CODE TO
starcous.com

Table of contents

Industrial Series TLED	6
Corrossion Resistant TLED	9
Special Lentgh TLED	10
Non-Weaponizable TLED	11
Amber TLED	12
Standard Socket Kit	14
Fast-Fuse Socket Kit	15
Custom Socket Kit	17
LED Emergency Lighting Inverter	18
Other Retrofit Kit	19
Interchangeable TLED High Bay	20
SLLB LED Linear	22
SLHB LED High Bay	24
SLHBWL LED High Bay	26
SLLT LED Troffer	28
SLLP LED Panel	30
SLLA LED Architectural Linear	32
SLAL1 LED Area Light	34
SLWP1 LED Wall Pack	35
SLWP2 LED Wall Pack	37
SLCL1 LED Canopy	39
SLCL2 LED Round Canopy	40
SLST2 LED Stadium Light	41
SLGL LED Grow Light	43
SLGLRD Multi-Spectrum Light	45



Industrial & Commercial G-Series TLED T8 Lamp



Up to 175 lm/w



L90 > 58,000 hrs



Shatterproof

Features

- Extruded aluminum heatsink
- Durable UV-resistant PC lens
- V-0 flammability classified PC end cap
- Aluminum LED board
- No glass or mercury is used
- Input Voltage: 110-277V, 50/60Hz
- UL Type B direct voltage
- Efficacy: Up to 175 lm/w
- Power Factor: >0.90
- Total Harmonic Distortion: <15%
- Surge Protection: 1.5kV
- L70 Lifetime: 186,000 hours @ 25°C
- L90 Lifetime: >58,000 hours @ 25°C

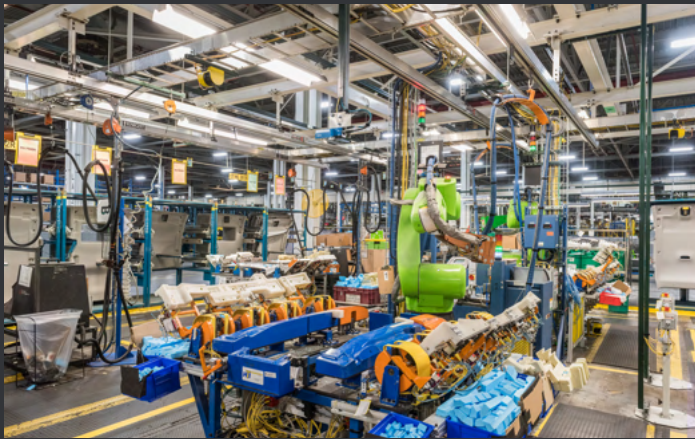
Order Information

Model Number	Wattage	Size	70 CRI @ 4000K / 5000K		Lens
			Lumens	Efficacy	
SL-T8-09-C2-XX-S	09	2'	1260	140	Clear
SL-T8-09-P2-XX-S	09	2'	1215	135	Frosted
SL-T8-13-C3-XX-S	13	3'	1820	140	Clear
SL-T8-13-P3-XX-S	13	3'	1755	135	Frosted
SL-T8-10-C4-XX-G	10	4'	1750	175	Clear
SL-T8-10-P4-XX-G	10	4'	1700	170	Frosted
SL-T8-13-C4-XX-G	13	4'	2275	175	Clear
SL-T8-13-P4-XX-G	13	4'	2210	170	Frosted
SL-T8-15-C4-XX-G	15	4'	2550	170	Clear
SL-T8-15-P4-XX-G	15	4'	2475	165	Frosted
SL-T8-18-C4-XX-G	18	4'	2970	165	Clear
SL-T8-18-P4-XX-G	18	4'	2880	160	Frosted
SL-T8-22-C4-XX-G	22	4'	3520	160	Clear
SL-T8-22-P4-XX-G	22	4'	3410	155	Frosted

“XX” can be 30, 40 or 50 which represents color temperature 3000K, 4000K or 5000K

General Motors Focuses On Lighting For Energy Conservation

Over \$4 Million in Annual Energy Savings



- 500,000+ fluorescent tubes upgraded to LED
- Annual Energy Savings of over \$4,000,000
- Industrial High Bay and Office applications
- Annual Maintenance Savings of over \$4,000,000

As part of its efforts to reduce energy and carbon intensity by 20 percent from its 2010 baseline to 2020, General Motors worked with Starco Lighting to help reduce its lighting-related energy consumption across its global facilities. Since 2015, the automaker has worked with Starco to install tubular LED (TLED) lighting across 20 manufacturing and non-manufacturing facilities in North America, generating more than \$4 million in annual energy cost savings.

“Starco has helped us realize increased energy efficiency and cost savings across our global facilities,” said Alfred Hildreth, global energy manager at General Motors. “Starco has consistently demonstrated a deep understanding of our broader goal of reducing energy intensity to achieve a more sustainable future, offering retrofit solutions that fit the different needs of our facilities around the world.”

Recently, General Motors installed about 250,000 Starco lamps at its Warren Tech Center and Milford Proving Grounds, the company’s research centers. This was done through a performance contract where the energy savings was used to pay for the cost of the project over the course of the contract period. Usually, it is difficult to provide a performance contract with LED tubes in an industrial setting due to the reliability concerns, however, the quality and robustness of Starco’s lamps provide the confidence needed to take on this task.

In addition, General Motors installed 25,000 Starco lamps at the Renaissance Center, the company’s headquarters using internal funds. Capital spending has different metrics than performance contracting and a quicker payback is usually required. They used 13W TLEDs, with a lumen output of 1820lm, to replace 32W fluorescents. The lighting was improved all while saving 40% in power. The automaker plans to retrofit other facilities with Starco’s TLEDs with capital spending using internal funds and energy performance contracting.

Before specifying Starco’s LED TLEDs, GM conducted a very rigorous evaluation of LED tubes in the market in 2015. GM was concerned about reliability and robustness using retrofits in general. With high labor rates and longer performance contract lengths, the retrofit LED tubes would have to last even in their more demanding applications. Stamping plants, with a lot of vibration and higher ambient temperatures, are very demanding on all equipment, let alone a new technology that was being retrofit into a fixture with no way to conduct the heat away from the lamp.

In the beginning, there was about 42 models of TLEDs from 12 different manufacturers. The evaluation including, specification sheet and 3rd party testing data review, pilot tests in industrial applications and safety and reliability tests. After several stages of evaluation and one year of testing, GM exclusively specified Starco’s TLEDs for all linear fluorescent replacements globally.

Starco’s retrofits enable GM to take on more projects than they would have just using integrated LED fixtures. Where fixtures could be used, they were. But, when the financial metrics could not be met with integrated LED fixtures, they had the confidence to move with Starco’s TLEDs and save millions more. With Starco’s fast-fuse wiring kits and custom length TLEDs, GM was able to replace over 500,000 fluorescent lamps over the past several years. Applications included office lighting, task lighting, high bay lighting and more.

General Motors is saving millions where they wouldn’t otherwise and Starco’s failure rate in their industrial applications is “virtually zero”, as stated by Hildreth. Better than most integrated LED fixtures.



“Starco has consistently demonstrated a deep understanding of our broader goal of reducing energy intensity to achieve a more sustainable future, offering retrofit solutions that fit the different needs of our facilities around the world.”

- Al Hildreth, Global Energy Manager
General Motors LLC

Corrosion Resistant TLED T8 Lamp



Features

- Non-metal heatsink
- Durable frosted or clear UV-resistant PC lens
- V-0 flammability classified PC end cap
- No glass or mercury is used
- Input Voltage: 110-277V, 50/60Hz
- UL Type B direct voltage
- Efficacy: 130+ lm/w
- Power Factor: >0.90
- Total Harmonic Distortion: <15%
- Surge Protection: 1.5kV
- L70 Lifetime: 186,000 hours @ 25°C
- L90 Lifetime: 59,000 hours @ 25°C

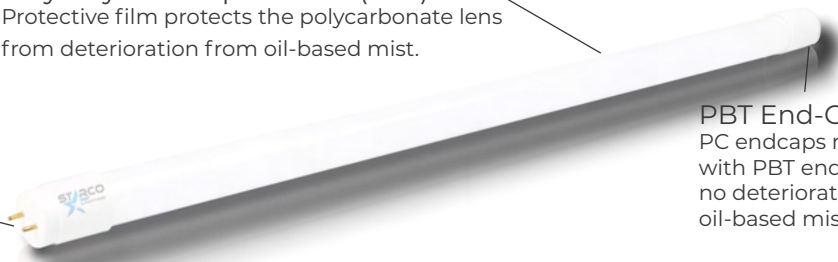


Corrosion Resistant TLED

Polyethylene Terphthalate (PET) Film
Protective film protects the polycarbonate lens
from deterioration from oil-based mist.

Sealed End-Caps

The end-caps are sealed and the
pin-holes soldered over ensuring no
liquid or mist enters



PBT End-Cap

PC endcaps replaced
with PBT endcaps ensures
no deterioration with
oil-based mist

Order Information

Model Number	Wattage	CCT	CRI	Size	Lumen Output	Lens	Case Quantity
SL-T8-22-C-4-40-B	22	4000K	82	4'	2860	Frosted	25
SL-T8-22-C-4-50-B	22	5000K	82	4'	2860	Frosted	25

Created for oil based mist application included cnc machine areas.

SL - Special Length TLED T8 Lamp



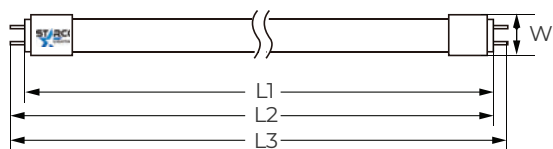
Features

- Extruded aluminum heatsink
- Durable frosted or clear UV-resistant PC lens
- V-0 flammability classified PC end cap
- No glass or mercury is used
- Input Voltage: 110-277V, 50/60Hz
- UL Type B direct voltage
- Efficacy up to 150 lm/w
- Power Factor: >0.90
- Total Harmonic Distortion: <15%
- Surge Protection: 1.5kV
- L70 Lifetime: 186,000 hours @ 25°C
- L90 Lifetime: 59,000 hours @ 25°C
- Designed for 120V-277V

Order Information

Model Number	Wattage	CCT	CRI	Size	Lumen Output	Lens	Case Quantity
SL-T8-18-P-4-40-I	18	4000K	82	46"	2340	Frosted	25
SL-T8-18-P-4-50-I	18	5000K	82	46"	2340	Frosted	25
SL-T8-22-P-4-40-I	22	4000K	82	46"	2850	Frosted	25
SL-T8-22-P-4-50-I	22	5000K	82	46"	2850	Frosted	25
SL-T8-22-P-5-40-S	22	4000K	82	5'	2860	Frosted	25
SL-T8-22-P-5-50-S	22	5000K	82	5'	2860	Frosted	25
SL-T8-28-P-6-40-S	28	4000K	82	6'	3640	Frosted	25
SL-T8-28-P-6-50-S	28	5000K	82	6'	3640	Frosted	25
SL-T8-36-P-8-40	36	4000K	82	8'	4500	Frosted	25
SL-T8-36-P-8-50	36	5000K	82	8'	4500	Frosted	25
SL-T8-36-PF-8-40	36	4000K	82	8'	4500	Frosted	25
SL-T8-36-PF-8-50	36	5000K	82	8'	4500	Frosted	25

Dimension



Size	L1	L2		L3	W	Unit
	MAX	MIN	MAX	MAX	MAX	
46 in			45.72	45.91	1.14	inch
5ft	59.06	59.24	59.33	59.61	1.14	inch
6ft	69.44	69.63	69.72	70.00	1.14	inch
8ft	93.30	93.42	93.65	94.00	1.14	inch

DF - Non-Weaponizable TLED T8 Lamp



Features

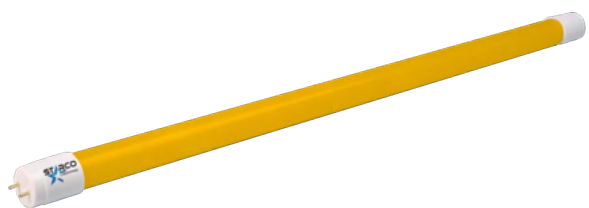
- Non-metal heatsink
- All plastic
- Durable frosted or clear UV-resistant PC lens
- V-0 flammability classified PC end cap
- No glass or mercury is used
- Input Voltage: 110-277V, 50/60Hz
- UL Type B direct voltage
- Efficacy: 140+ lm/w
- Power Factor: >0.90
- Total Harmonic Distortion: <15%
- Surge Protection: 1.5kV
- L70 Lifetime: 186,000 hours @ 25°C
- L90 Lifetime: 59,000 hours @ 25°C



Order Information

Model Number	Wattage	CCT	CRI	Size	Lumen Output	Lens	Case Quantity
SL-T8-05-DF-C-40-B	05	4000K	82	18"	600	Frosted	25
SL-T8-09-DF-2-40-S	09	4000K	82	2'	1215	Frosted	25
SL-T8-09-DF-2-50-S	09	5000K	82	2'	1215	Frosted	25
SL-T8-13-DF-3-40-S	13	4000K	82	3'	1755	Frosted	25
SL-T8-13-DF-3-50-S	13	5000K	82	3'	1755	Frosted	25
SL-T8-15-DF-4-40-S	15	4000K	82	4'	2100	Frosted	25
SL-T8-15-DF-4-50-S	15	5000K	82	4'	2100	Frosted	25

Yellow Low-Flicker TLED T8 Lamp



Features

- Durable frosted or clear UV-resistant PC lens
- V-0 flammability classified PC end cap
- No glass or mercury is used
- Amber LEDs: 1800K
- Input Voltage: 110-277V, 50/60Hz
- UL Type B direct voltage
- Efficacy up to 125 lm/w
- Power Factor: >0.90
- Total Harmonic Distortion: <15%
- Surge Protection: 1.5kV
- L70 Lifetime: 186,000 hours @ 25°C
- L90 Lifetime: 59,000 hours @ 25°C
- Designed for 120V-277V



Order Information

Model Number	Wattage	CCT	CRI	Size	Lumen Output	Lens	Case Quantity
SL-T8-09-P-2-XX-Y	09	1800K	82	2'	1125	Frosted	25
SL-T8-18-P-4-XX-Y	18	1800K	82	4'	2250	Frosted	25



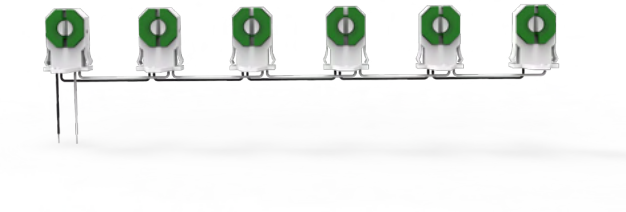
“The Starco lamp results in a 40% reduction in energy consumption in manufacturing spaces, and a 54% reduction in office areas.”

- Ed Fish, Corporate Energy Manager
General Motors LLC

STANDARD SOCKET KIT

Features

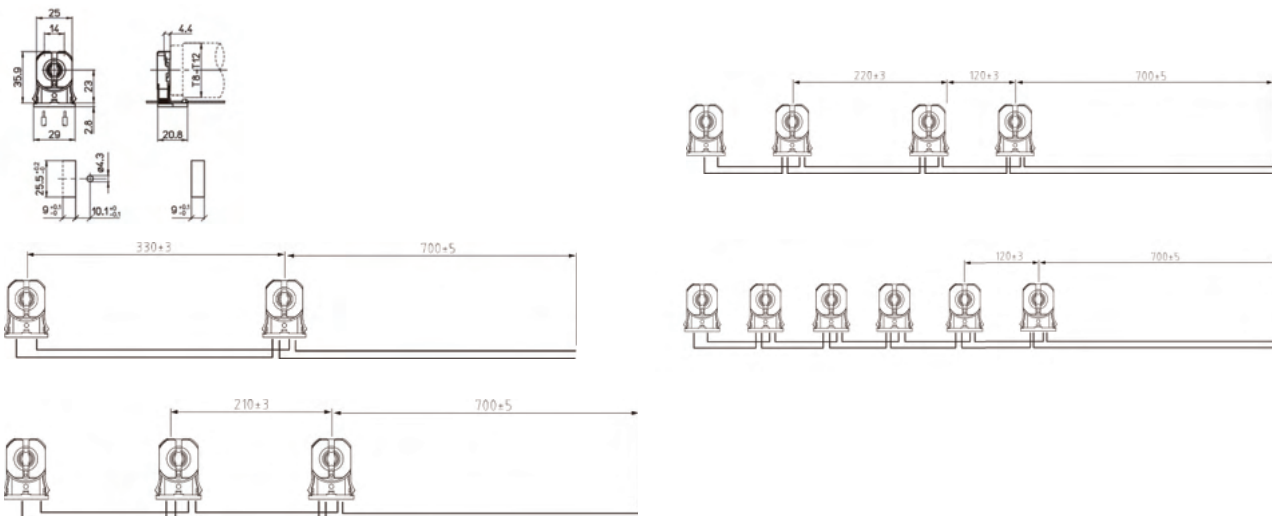
- Push through snap-in mounting
- 660W-600V rated G13 socket
- 18AWG 600V rated wire
- PBT body and green rotor socket
- 90° turn lock
- Multiple socket available
- Significant labor reduction
- Work with Starco's TLED lamps
- Designed for 120V-277V



Order Information

Model Number	Quantity of Sockets	Socket	Case Quantity
SL-T8-K-1	1	G13	25
SL-T8-K-2	2	G13	20
SL-T8-K-3	3	G13	20
SL-T8-K-4	4	G13	15
SL-T8-K-5	5	G13	15
SL-T8-K-6	6	G13	10
SL-T8-K-8	8	G13	10

Dimension



FAST-FUSE SOCKET KIT



Features

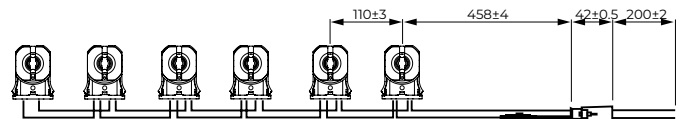
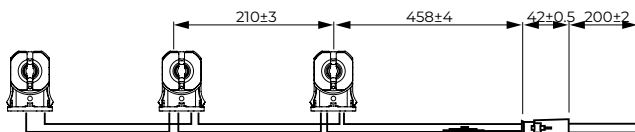
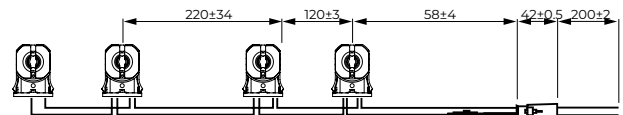
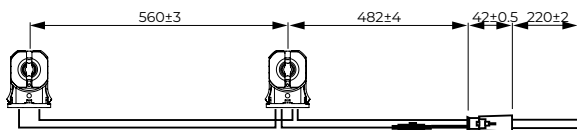
- Push through snap-in mounting
- 660W-600V rated G13 socket
- 18AWG 600V rated wire
- PBT body and green rotor socket
- 1.6A or 2A fuse with voltage rated at 300V
- 5.2x20mm cartridge fuse
- 90° turn lock
- Multiple socket available
- Provide extra safety
- Work with Starco's TLED lamps
- Significant labor reduction
- Quick disconnect in compliance with IEC
- Designed for 120V-277V



Order Information

Model Number	Quantity of Sockets	Socket	Fuse	Case Quantity
SL-T8-K-1-F	1	G13	1.6A	25
SL-T8-K-2-F	2	G13	1.6A	20
SL-T8-K-3-F	3	G13	1.6A	20
SL-T8-K-4-F	4	G13	1.6A	15
SL-T8-K-5-F	5	G13	1.6A	15
SL-T8-K-6-F	6	G13	1.6A	10
SL-T8-K-8-F	8	G13	2A	10

Dimension



Starco Lighting's Fast-Fuse Socket Kits are proudly assembled in Buffalo NY.

Starco employs hardworking Americans to assemble thousands of kits annually. We use high-quality components and within 48 hours we can fulfill your orders. Custom socket kit with special sockets may delay time.

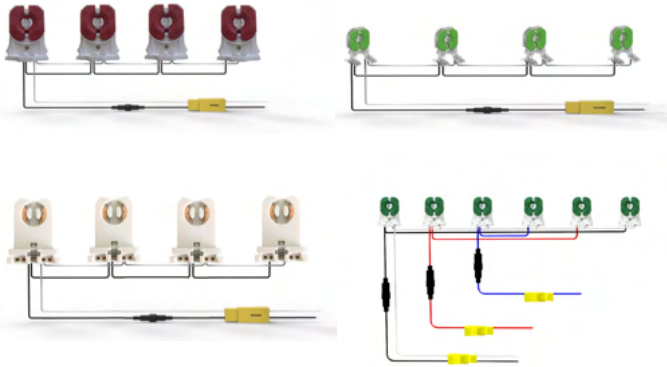




“With Starco’s wiring kits and LED tubes, labor time and cost is cut down by at least half over replacing fixtures. This is great for our customers who need a quick ROI. The wiring kit allows my team to upgrade about 3-4 fixtures in the time it takes to replace with an LED fixture when you consider logistics.”

- Rick Dunn, Owner/President
Enhanced Lighting Inc.

CUSTOM SOCKET KIT



Features

- Multiple mounting options
- 660W-600V rated G13 socket
- 18AWG 600V rated wire
- 1.6A or 2A fuse with voltage rated at 300V
- 5.2x20mm cartridge fuse
- Multiple socket available
- Provide extra safety
- Work with Starco's TLED lamps
- Significant labor reduction
- Quick disconnect in compliance with IEC



Order Information

Model Number	Quantity of Sockets	Socket	Fuse	Mount
SL-T8-K-XF-E	X can be 1, 2, 3, 4, 5, 6, 8	G13	1.6A or 2A	Snap-in
SL-T8-K-XF-W	X can be 1, 2, 3, 4, 5, 6, 8	G13	1.6A or 2A	Snap-in
SL-T8-K-XF-12264	X can be 1, 2, 3, 4, 5, 6, 8	G13	1.6A or 2A	Flush
SL-T8-K-XF-11226	X can be 1, 2, 3, 4, 5, 6, 8	G13	1.6A or 2A	Slide on
SL-T8-K-XF-810H	X can be 1, 2, 3, 4, 5, 6, 8	R17D	1.6A or 2A	Silde on or snap-in
SL-T8-K-XF-811H	X can be 1, 2, 3, 4, 5, 6, 8	R17D	1.6A or 2A	Silde on or snap-in
SL-T8-K-XF-421	X can be 1, 2, 3, 4, 5, 6, 8	G13	1.6A or 2A	Flush
SL-T8-K-XF-3251	X can be 1, 2, 3, 4, 5, 6, 8	G13	1.6A or 2A	Push-in
SL-T8-K-XF-3345	X can be 1, 2, 3, 4, 5, 6, 8	G13	1.6A or 2A	Back
SL-T8-K-XF-1421	X can be 1, 2, 3, 4, 5, 6, 8	G13	1.6A or 2A	Silde on or snap-in
SL-T8-K-6F-3WAY	6 with 3 line voltage	G13	(3) 1.6A	Snap-in
SL-T8-K-3F-2WAY	3 with 2 line voltage	G13	(2) 1.6A	Snap-in

Sockets

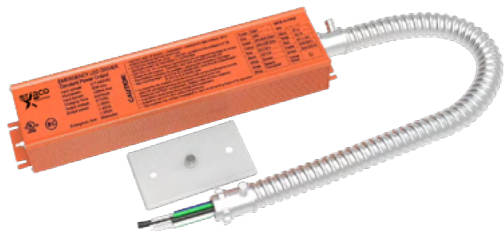


More options available. Please consult us for more information.

LED EMERGENCY LIGHTING INVERTER

Features

- Input Voltage 120-277VAC
- Output Voltage 170VDC
- 10W or 20W or 30W available
- High temp Li-ion battery
- Provide power over 90 minutes
- Operating temperature 0°C to 50°C

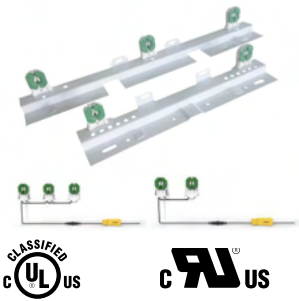


Order Information

Model Number	Wattage	Input Voltage	Output Voltage	Case Quantity
EMD-10	10	120-277V	170VDC	1
EMD-20	20	120-277V	170VDC	1
EMD-30	30	120-277V	170VDC	1

OTHER RETROFIT KIT

U-tube Retrofit Kit



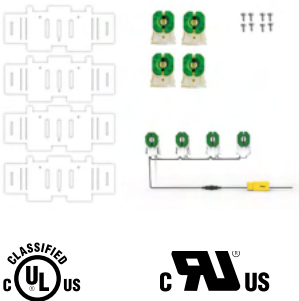
Features

- Two brackets
- 660W-600V rated G13 socket
- 18AWG 600V rated wire
- 1.6A with voltage rated at 300V

Order Information

Model Number	Bracket	Socket	Fuse	Mount
STB-2-T8-N-F	For 2 Lamps	G13	1.6A	Snap-in
STB-3-T8-N-F	For 3 Lamps	G13	1.6A	Snap-in

8' Strip Retrofit Kit



Features

- Convert (2) 8' lamp fixture to (4) 4' lamp
- 660W-600V rated G13 socket
- 18AWG 600V rated wire
- 1.6A with voltage rated at 300V

Order Information

Model Number	Bracket	Socket	Fuse	Mount
ST-T8-K-8R4	Replace (2) 8' Lamps to (4) 4' T8	G13	1.6A	Snap-in

Fast-Fuse Kit



Features

- 18AWG 600V rated wire
- 1.6A with voltage rated at 300V



Order Information

Model Number	Description	Fuse	Mount
ST-T8-K-F	For fixtures not required to change sockets	1.6A	Snap-in

Interchangeable TLED HIGH BAY

Features

- 6-Lamp and 4-Lamp Version
- 88W - 132W Input Power
- Lamp Lumens: 13k - 19.5k lumens
- 82 CRI
- Color Temp: 4000K/5000K
- Input Voltage 120-277VAC
- 6 year Warranty
- Occupancy Sensor Option
- Fused Wiring Kit included



Description

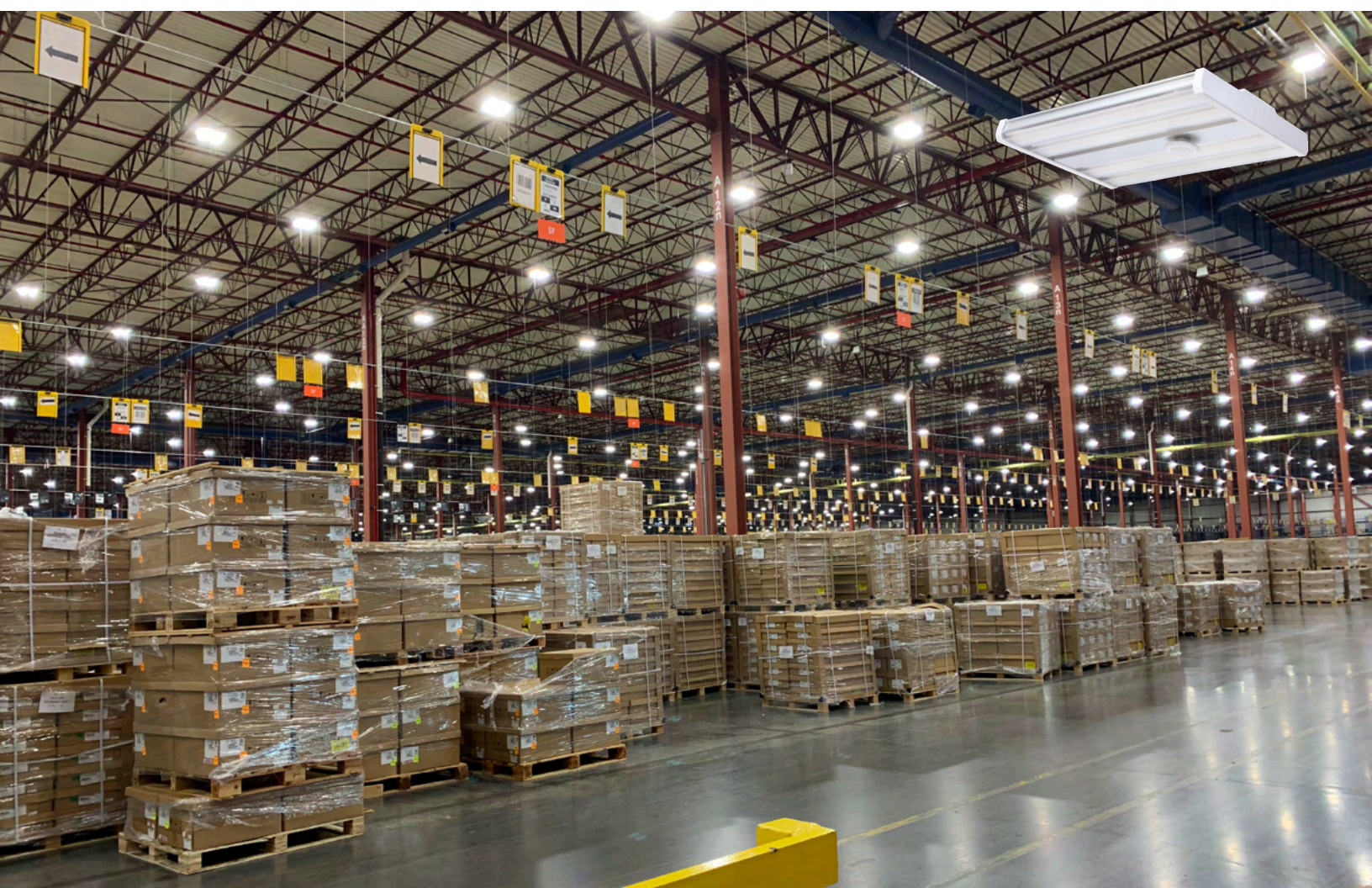
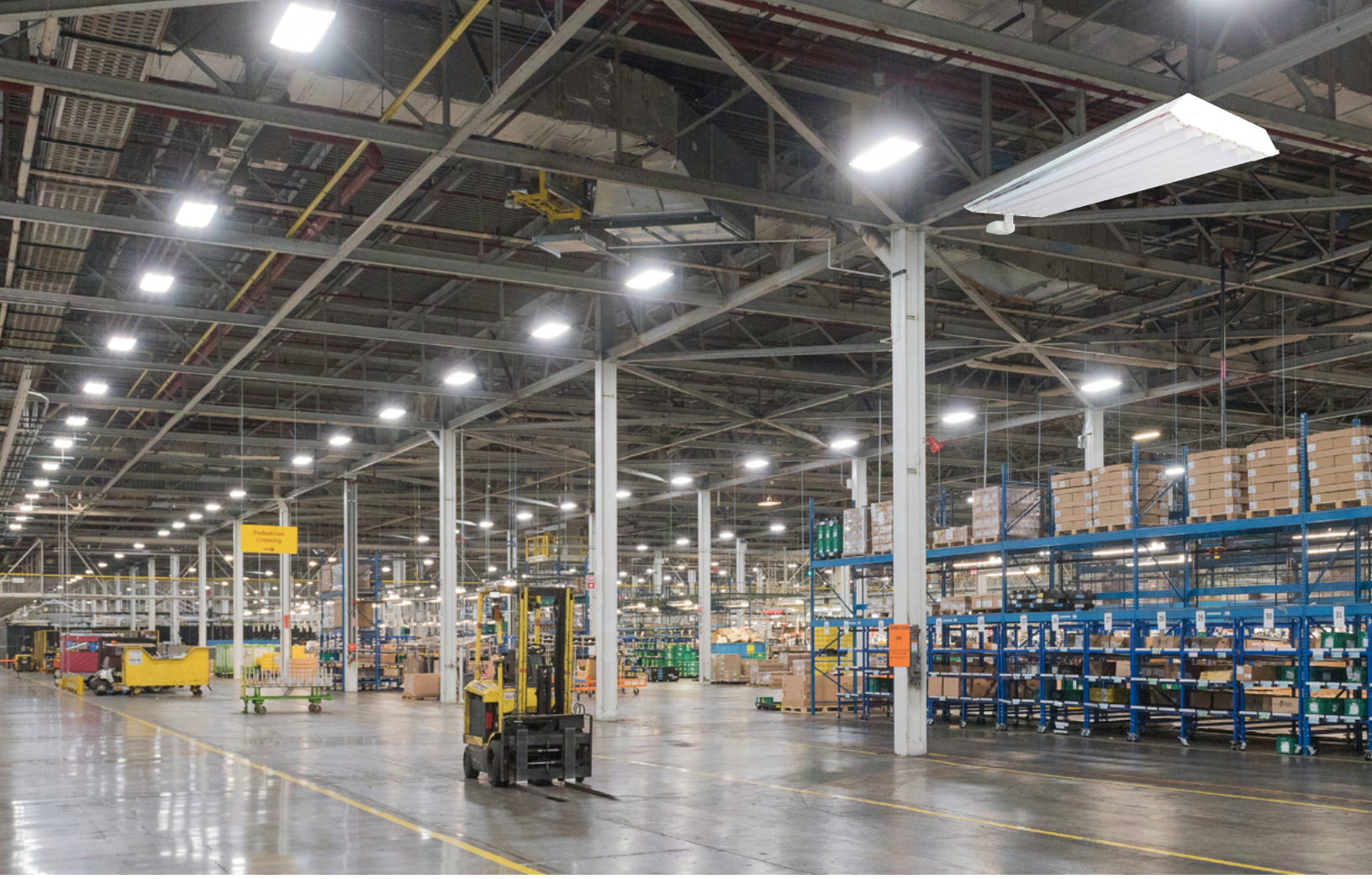
The TLED High Bay is perfect for commercial and industrial applications where reduced glare is needed. The large emitting surface provides powerful and uniform illumination. This fixture will last for decades with the only component that needs to be changed are the interchangeable TLEDs, reducing life cycle cost significantly.

Order Information

Model Number	Wattage	Input Voltage	Total Lamp Lumens	Control
SLHT-4-18T850AXU-WH	72	120-277V	11520	Occupancy Sensor
SLHT-4-22T850AXU-WH	88	120-277V	13640	Occupancy Sensor
SLHT-6-18T850AXU-WH	108	120-277V	17280	Occupancy Sensor
SLHT-6-22T850AXU-WH	132	120-277V	20460	Occupancy Sensor

Accessories

Model Number	Wattage
SLHB5VKCS	3ft hanging chain
AC10	10ft aircraft cable
AC15	15ft aircraft cable
AC20	20ft aircraft cable
L7-15P	Twist lock plug
5-15P	Straight plug
AT480	480V stepdown transformer
HBP-111	Wattstopper Occupancy Sensor



SLLB LED LINEAR LUMINAIRE



IP65 Rated

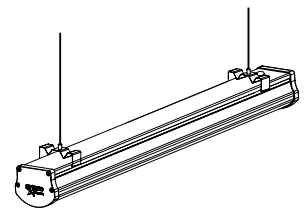
Order Information

Series	Wattage	Size	Optics	CCT	IP Rating	Dimming	Mount
SLLB=LED Linear	25=25W 35=35W 45=45W 55=55W 50=50W 70=70W 90=90W 110=110W	S4=4ft S8=8ft	F=Frosted D=Diffused	30=3000K 40=4000K 50=5000K	65=IP65	D=0-10V Dimming N=None dimming	H=Suspended mount C=Surface mount
Accessories							
SLHB5VKCS =3ft hanging chain ACxx =Aircraft Cable/Hook xx-length in ft. LWPxx =16AWG Plugin Whip xx-length in ft. DCxx = Dimming Cable xx-length in ft. Lx-15P =Twist Lock Plug, x=5or7 for 120 or 277 x-15P =Straight Plug, x=5or7 for 120 or 277		AT480 =480V Autotransformer EMDxx =Emergency Battery Pack xx-20 or 30 Watts EMR =UL 924 emergency wired relay MCable =Modular Plug&Go Cabling (further specification needed) SLLBAB-x = Adjustable Mounting Bracket x-diameter of hole in. LVDC-A019 = Rotary Low Voltage Dimmer					

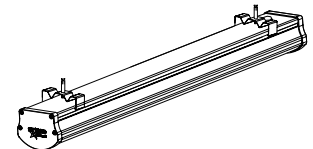
Performance Data

Size	Wattage		CCT	Lumen Output	
	120-277V	347-480V		Frosted	Diffused
4 FT	25	27	3000K	3375	3510
	25	27	4000K	3500	3640
	25	27	5000K	3625	3770
	35	37	3000K	4725	4914
	35	37	4000K	4900	5096
	35	37	5000K	5075	5278
	45	49	3000K	6075	6318
	45	49	4000K	6300	6552
	45	49	5000K	6518	6786
	55	61	3000K	7425	7722
	55	61	4000K	7700	8008
	55	61	5000K	7975	8294
8 FT	50	55	3000K	6750	7020
	50	55	4000K	7000	7280
	50	55	5000K	7250	7540
	70	77	3000K	9450	9828
	70	77	4000K	9800	10192
	70	77	5000K	10150	10556
	90	98	3000K	12150	12636
	90	98	4000K	12600	13104
	90	98	5000K	13036	13572
	110	121	3000K	14850	15444
	110	121	4000K	15400	16016
	110	121	5000K	15950	16588

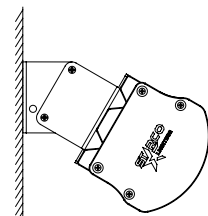
Suspended Mounting



Surface Mounting



Surface Mounting with adjustable bracket



SLHB LED INTEGRATED HIGH BAY



 Up to 185 lm/W

 50 to 350W

 Light weight design

 L90 > 60,000 hrs

 Integrated Sensor

Order Information

Example: SLHB-120-R1-D-50-D-M-H

SLHB								
Series	Wattage	Size	Optics	CCT	Dimming	Sensor	Mount	Options
SLHB=LED High Bay	50=50W 65=65W 70=70W 100=100W 120=120W 135=135W 150=150W 165=165W 180=180W 200=200W 220=220W 350=350W	R0=420x260 R1=420x420 R2=420x620 R3=530x910	F=Frosted D=Diffused	30=3000K 40=4000K 50=5000K	D=0-10V Dimming N=None dimming	M=Occ & Daylight Sensor (FSP211) S=Bluetooth remote controlled Sensor(FSP311) B=Bluetooth Mesh Sensor(IFS101) E=Bluetooth Mesh Sensor Emergency Mode *(IFS101E) O=No sensor	H= Suspended mount C=Surface mount P=Pendent	E= Emergency Coating

Accessories

Model#	Description	Model#	Description
SLHB5VKCS	3ft hanging chain	WP-10	10ft 16AWG whip
AC10	10ft aircraft cable	WP-15	15ft 16AWG whip
AC15	15ft aircraft cable	WP-20	20ft 16AWG whip
AC20	20ft aircraft cable	EMD-20	20W Emergency battery pack
L7-15P	277V Twist lock plug	EMD-30	30W Emergency battery pack
7-15P	277V Straight plug	5-15P	120V Straight plug
AT480	480V stepdown transformer	L5-15P	120V Twist lock plug
SLHBM	Surface mount bracket	IFS101	BLE Mesh Occupancy Sensor
PPA109S	Wireless emergency controller	FSP-211	Occupancy Sensor
IFS101E	BLE Emergency Occupancy Sensor	FSP-311	Bluetooth Occupancy Sensor

*IFS101E must be used with PPA109S. Can work with IFS101 sensors to override controls in emergency mode.

Performance Data

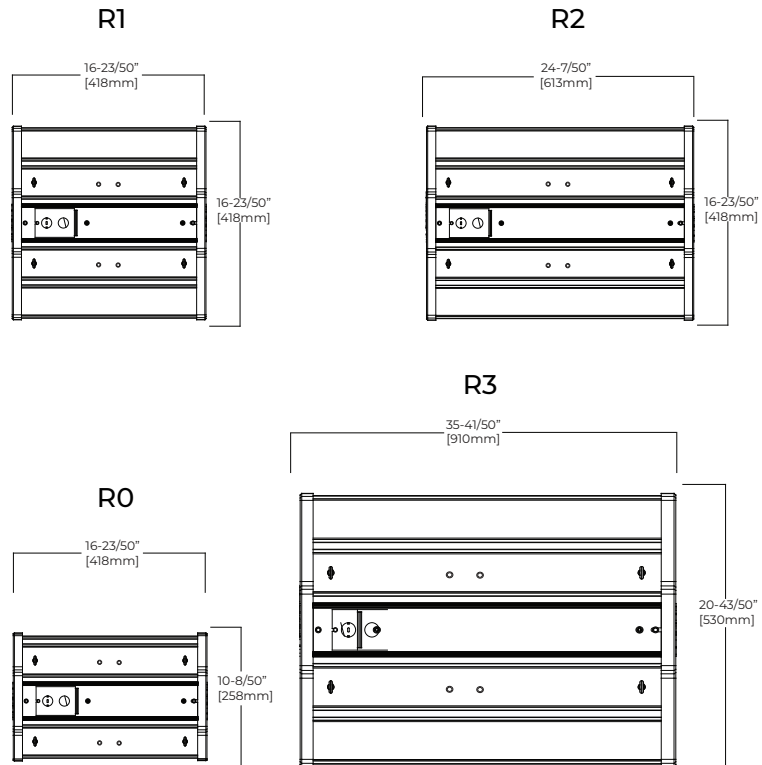
Wattage	Size	70 CRI @4000K / 5000K		Lens
		Lumens	Efficacy	
50	R0	9250	185	Diffused
50	R0	8800	176	Frosted
65	R0	12050	185	Diffused
65	R0	11440	176	Diffused
70	R1	12900	185	Diffused
70	R1	12320	176	Frosted
100	R1	18000	185	Diffused
100	R1	17100	176	Frosted
120	R1	21000	180	Diffused
120	R1	19950	171	Frosted
135	R1	23625	175	Diffused
135	R1	22444	166	Frosted
150	R1	25500	175	Diffused
150	R1	24225	166	Frosted
165	R2	28875	175	Diffused
165	R2	27390	166	Frosted
180	R2	31500	175	Diffused
180	R2	30000	166	Frosted
200	R2	35000	175	Diffused
200	R2	33200	166	Frosted
220	R2	38500	175	Diffused
220	R2	36520	166	Frosted
350	R3	61250	175	Diffused
350	R3	58100	166	Frosted

CRI	CCT	OUTPUT
70	5000K	100%
	4000K	100%
80	5000K	94%
	4000K	93%
	3000K	85%
90	5000K	86%
	4000K	85%
	3000K	78%

Lens	Output
Clear	104%
Acrylic	105%

Emergency Battery Pack	Output Lumens
20W - 90min	3600
30W - 90min	4800

Dimension



SLHBWL LED HIGH BAY




175 lm/W


200 to 350 W


Water Proof
IP65


L90 > 60,000
hrs


Integrated
Sensor

Order Information

Example: SLHBWL-200-R2-D-50-D-O-H

SLHBWL							
Series	Wattage	Size	Optics	CCT	Dimming	Sensor	Mount
SLHBWL=LED IP65 High Bay	200=200W	R2=620x532	30=30°	30=3000K	D=0-10V Dimming	M=Integrated occupancy and daylight sensor	H=Suspended mount
	250=250W	R3=908x532 unit: mm	60=60°	40=4000K			
	350=350W		90=90°	50=5000K	N=None dimming	S=Integrated occupancy and daylight sensor with Bluetooth remote control	C=Surface mount
	400=400W						

Accessories

Model#	Description	Model#	Description
SLHB5VKCS	3ft hanging chain	WP-10	10ft 16AWG whip
AC10	10ft aircraft cable	WP-15	15ft 16AWG whip
AC15	15ft aircraft cable	WP-20	20ft 16AWG whip
AC20	20ft aircraft cable	EMD-20	20W Emergency battery pack
L7-15P	277V Twist lock plug	EMD-30	30W Emergency battery pack
7-15P	277V Straight plug	5-15P	120V Straight plug
AT480	480V stepdown transformer	L5-15P	120V Twist lock plug
SLHBM	Surface mount bracket	IFS101	BLE Mesh Occupancy Sensor
PPA109S	Wireless emergency controller	FSP-211	Occupancy Sensor
IFS101E	BLE Emergency Occupancy Sensor	FSP-311	Bluetooth Occupancy Sensor

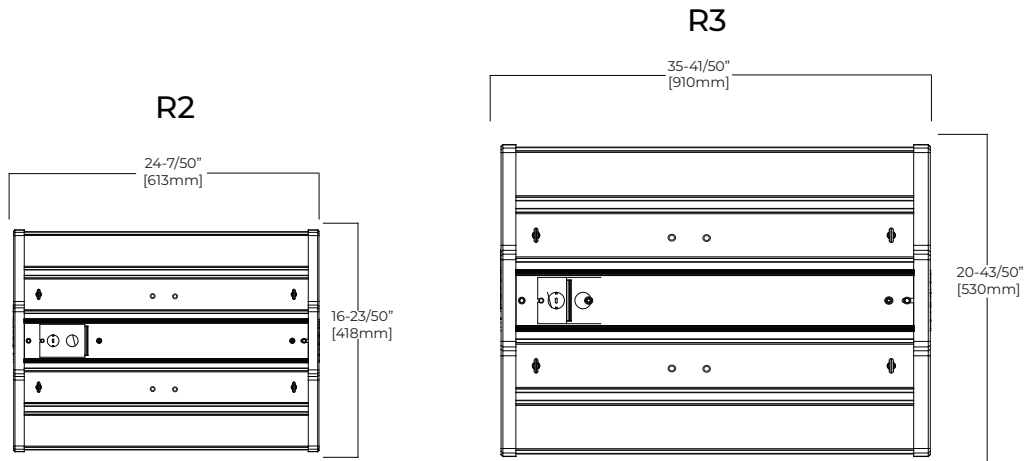
*IFS101E must be used with PPA109S. Can work with IFS101 sensors to override controls in emergency mode.

Performance Data

Wattage	Size	70 CRI @4000K / 5000K	
		Lumens	Efficacy
200	R2	35000	175
250	R2	42500	170
350	R3	61250	175
400	R3	68000	170

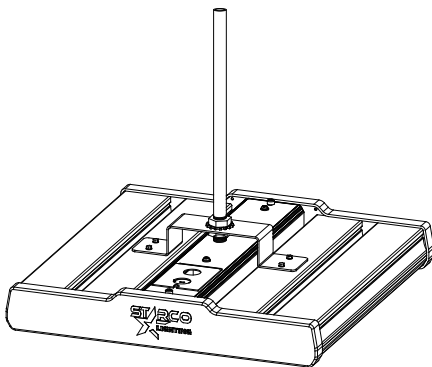
CRI	CCT	OUTPUT
70	5000K	100%
	4000K	100%
80	5000K	94%
	4000K	93%
	3000K	85%
90	5000K	86%
	4000K	85%
	3000K	78%

Dimension



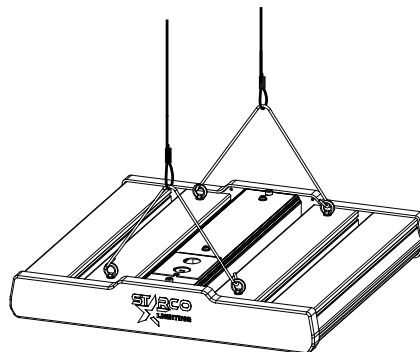
Mounting

Pendent Mount

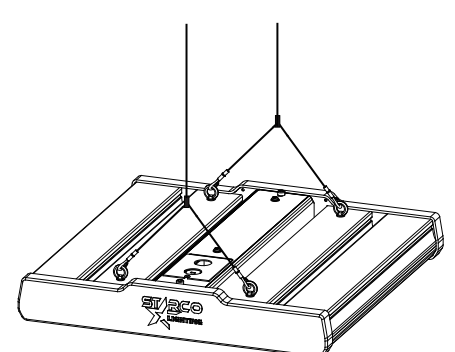


Suspended Mount

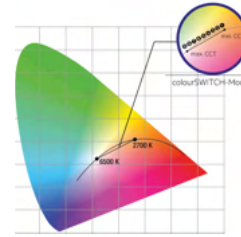
Hanging chain+V-clip



Aircraft Cable with hook



SLLT LED TROFFER



Dynamic Range
3000K to 5000K



Description

Typically used to replace 1'x4', 2'x2' and 2'x4' fluorescent fixtures, the LED troffer is designed to lay in drop ceilings in offices, schools, and healthcare applications. The LED troffer is fully dimmable and white tunable with wireless bluetooth mesh control options and are compatible with building controls, motion sensors, timers, and daylight harvesting systems.

Order Information

Example: SLLT-24-50-CS-80-SD-SE

SLLT	Size	Wattage	CCT	CRI	Driver	Efficacy
SLLT=LED Troffer	14=1x4	20=20W	30=3000K	80=80CRI	SD=Standard Driver CCT Selectable, 0-10V Dim TD= Wireless BLE Tunable Driver	SE=Standard Efficacy 130 LPW HE=High Efficacy 150 LPW
	22=2x2	25=25W	35=3500K	90=90CRI		
	24=2x4	30=30W	40=4000K			
		35=35W	50=5000K			
		40=40W	CS=CCT Selectable 3000K-5000K			
		45=45W				
		50=50W				
		56=56W	DR=Dynamic Color Tunable Range 3000K - 5000K			

Accessories

Wireless Accessories

Sensors

- CAP=AC powered wireless PIR motion & light sensor
- CAM=AC powered wireless microwave motion & light sensor
- CYC=DC powered dual channel PIR motion & light sensor

Switches

- CAI=AC powered interface for push, toggle and rotary switches
- CIV=Wireless 4 button switch
- CTV=Wireless 5 button switch
- RTS=Wireless 8 function Rotary Switch

Gateway & Extenders

- WLUNE=Beacon & range extender
- ENORE=Gateway with ethernet & RTC

Emergency Inverters

- EMDW-10=10W Emergency Inverter Wireless Pack
- EMDW-20=20W Emergency Inverter Wireless Pack

Standard Accessories

Emergency Inverters

- EMD-10=10W Emergency Inverter Pack
- EMD-20=20W Emergency Inverter Pack

Dimmers

- LVDC-A019=Rotary 0-10V Dimmer

Performance Data

Standard Efficacy

Model	Wattage	CCT	Size	Lumen Output
SLLT-14-20-30-80-SD-SE	20	3000K	1x4	2470
SLLT-14-20-40-80-SD-SE	20	4000K	1x4	2600
SLLT-14-20-50-80-SD-SE	20	5000K	1x4	2600
SLLT-14-25-30-80-SD-SE	25	3000K	1x4	3087
SLLT-14-25-40-80-SD-SE	25	4000K	1x4	3250
SLLT-14-25-50-80-SD-SE	25	5000K	1x4	3250
SLLT-14-30-30-80-SD-SE	30	3000K	1x4	3420
SLLT-14-30-40-80-SD-SE	30	4000K	1x4	3600
SLLT-14-30-50-80-SD-SE	30	5000K	1x4	3600
SLLT-14-35-30-80-SD-SE	35	3000K	1x4	4322
SLLT-14-35-40-80-SD-SE	35	4000K	1x4	4550
SLLT-14-35-50-80-SD-SE	35	5000K	1x4	4550
SLLT-22-20-30-80-SD-SE	20	3000K	2x2	2470
SLLT-22-20-40-80-SD-SE	20	4000K	2x2	2600
SLLT-22-20-50-80-SD-SE	20	5000K	2x2	2600
SLLT-22-25-30-80-SD-SE	25	3000K	2x2	3087
SLLT-22-25-40-80-SD-SE	25	4000K	2x2	3250
SLLT-22-25-50-80-SD-SE	25	5000K	2x2	3250
SLLT-22-30-30-80-SD-SE	30	3000K	2x2	3420
SLLT-22-30-40-80-SD-SE	30	4000K	2x2	3600
SLLT-22-30-50-80-SD-SE	30	5000K	2x2	3600
SLLT-22-35-30-80-SD-SE	35	3000K	2x2	4322
SLLT-22-35-40-80-SD-SE	35	4000K	2x2	4550
SLLT-22-35-50-80-SD-SE	35	5000K	2x2	4550
SLLT-24-40-30-80-SD-SE	40	3000K	2x4	4940
SLLT-24-40-40-80-SD-SE	40	4000K	2x4	5200
SLLT-24-40-50-80-SD-SE	40	5000K	2x4	5200
SLLT-24-45-30-80-SD-SE	45	3000K	2x4	5557
SLLT-24-45-40-80-SD-SE	45	4000K	2x4	5850
SLLT-24-45-50-80-SD-SE	45	5000K	2x4	5850
SLLT-24-50-30-80-SD-SE	50	3000K	2x4	6175
SLLT-24-50-40-80-SD-SE	50	4000K	2x4	6500
SLLT-24-50-50-80-SD-SE	50	5000K	2x4	6500
SLLT-24-55-30-80-SD-SE	55	3000K	2x4	6792
SLLT-24-55-40-80-SD-SE	55	4000K	2x4	7150
SLLT-24-55-50-80-SD-SE	55	5000K	2x4	7150

High Efficacy

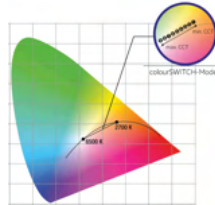
Model	Wattage	CCT	Size	Lumen Output
SLLT-14-20-30-80-SD-HE	20	3000K	1x4	2850
SLLT-14-20-40-80-SD-HE	20	4000K	1x4	3000
SLLT-14-20-50-80-SD-HE	20	5000K	1x4	3000
SLLT-14-25-30-80-SD-HE	25	3000K	1x4	3562
SLLT-14-25-40-80-SD-HE	25	4000K	1x4	3750
SLLT-14-25-50-80-SD-HE	25	5000K	1x4	3750
SLLT-14-30-30-80-SD-HE	30	3000K	1x4	4275
SLLT-14-30-40-80-SD-HE	30	4000K	1x4	4500
SLLT-14-30-50-80-SD-HE	30	5000K	1x4	4500
SLLT-14-35-30-80-SD-HE	35	3000K	1x4	4987
SLLT-14-35-40-80-SD-HE	35	4000K	1x4	5250
SLLT-14-35-50-80-SD-HE	35	5000K	1x4	5250
SLLT-22-20-30-80-SD-HE	20	3000K	2x2	2850
SLLT-22-20-40-80-SD-HE	20	4000K	2x2	3000
SLLT-22-20-50-80-SD-HE	20	5000K	2x2	3000
SLLT-22-25-30-80-SD-HE	25	3000K	2x2	3562
SLLT-22-25-40-80-SD-HE	25	4000K	2x2	3750
SLLT-22-25-50-80-SD-HE	25	5000K	2x2	3750
SLLT-22-30-30-80-SD-HE	30	3000K	2x2	4275
SLLT-22-30-40-80-SD-HE	30	4000K	2x2	4500
SLLT-22-30-50-80-SD-HE	30	5000K	2x2	4500
SLLT-22-35-30-80-SD-HE	35	3000K	2x2	4987
SLLT-22-35-40-80-SD-HE	35	4000K	2x2	5250
SLLT-22-35-50-80-SD-HE	35	5000K	2x2	5250
SLLT-24-40-30-80-SD-HE	40	3000K	2x4	5700
SLLT-24-40-40-80-SD-HE	40	4000K	2x4	6000
SLLT-24-40-50-80-SD-HE	40	5000K	2x4	6000
SLLT-24-45-30-80-SD-HE	45	3000K	2x4	6412
SLLT-24-45-40-80-SD-HE	45	4000K	2x4	6750
SLLT-24-45-50-80-SD-HE	45	5000K	2x4	6750
SLLT-24-50-30-80-SD-HE	50	3000K	2x4	7125
SLLT-24-50-40-80-SD-HE	50	4000K	2x4	7500
SLLT-24-50-50-80-SD-HE	50	5000K	2x4	7500
SLLT-24-55-30-80-SD-HE	55	3000K	2x4	7837
SLLT-24-55-40-80-SD-HE	55	4000K	2x4	8250
SLLT-24-55-50-80-SD-HE	55	5000K	2x4	8250

Wireless Switch

Starco BLE enabled wireless 4-8 button switch. Each button in the switch can be custom configured to control favorite luminaire, all luminaries, group, scene, scene animation from the controls mobile application.



SLLP LED PANEL



Dynamic Range
3000K to 5000K



Description

Typically used to replace 1'x4', 2'x2' and 2'x4' fluorescent fixtures, the LED panel is designed to lay in drop ceilings in offices, schools, and healthcare applications. The LED panel is fully dimmable and white tunable with wireless bluetooth mesh control options and are compatible with building controls, motion sensors, timers, and daylight harvesting systems.

Order Information

Example: SLLP-24-50-CS-80-SD-SE

SLLP	Size	Wattage	CCT	CRI	Driver	Efficacy
SLLP=LED Panel	14 =1x4 22 =2x2 24 =2x4	15 =15W 17 =17W 20 =20W 25 =25W 30 =30W 35 =35W 40 =40W 45 =45W 50 =50W 55 =55W	30 =3000K 35 =3500K 40 =4000K 50 =5000K CS =CCT Selectable 3000K-5000K DR =Dynamic Color Tunable Range 3000K - 5000K	80 =80CRI 90 =90CRI	SD =Standard Driver CCT Selectable, 0-10V Dim TD = Wireless BLE Tunable Driver	SE =Standard Efficacy 130 LPW HE =High Efficacy 150 LPW

Accessories

Wireless Accessories

Sensors

- CAP**=AC powered wireless PIR motion & light sensor
- CAM**=AC powered wireless microwave motion & light sensor
- CYC**=DC powered dual channel PIR motion & light sensor

Switches

- CAI**=AC powered interface for push, toggle and rotary switches
- CIV**=Wireless 4 button switch
- CTV**=Wireless 5 button switch
- RTS**=Wireless 8 function Rotary Switch

Gateway & Extenders

- WLUNE**=Beacon & range extender
- ENORE**=Gateway with ethernet & RTC

Emergency Inverters

- EMDW-10**=10W Emergency Inverter Wireless Pack

Standard Accessories

Emergency Inverters

- EMD-10**=10W Emergency Inverter Pack
- EMD-20**=20W Emergency Inverter Pack

Dimmers

- LVDC-A019**=Rotary 0-10V Dimmer

Performance Data

Standard Efficacy

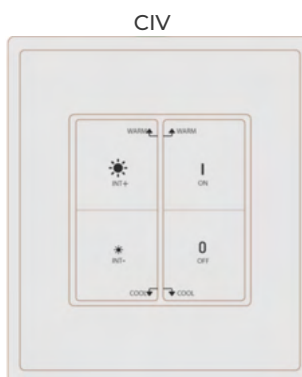
Model	Wattage	CCT	Size	Lumen Output
SLLP-14-20-30-80-SD-SE	20	3000K	1x4	2470
SLLP-14-20-40-80-SD-SE	20	4000K	1x4	2600
SLLP-14-20-50-80-SD-SE	20	5000K	1x4	2600
SLLP-14-25-30-80-SD-SE	25	3000K	1x4	3087
SLLP-14-25-40-80-SD-SE	25	4000K	1x4	3250
SLLP-14-25-50-80-SD-SE	25	5000K	1x4	3250
SLLP-14-30-30-80-SD-SE	30	3000K	1x4	3420
SLLP-14-30-40-80-SD-SE	30	4000K	1x4	3600
SLLP-14-30-50-80-SD-SE	30	5000K	1x4	3600
SLLP-14-35-30-80-SD-SE	35	3000K	1x4	4322
SLLP-14-35-40-80-SD-SE	35	4000K	1x4	4550
SLLP-14-35-50-80-SD-SE	35	5000K	1x4	4550
SLLP-22-20-30-80-SD-SE	20	3000K	2x2	2470
SLLP-22-20-40-80-SD-SE	20	4000K	2x2	2600
SLLP-22-20-50-80-SD-SE	20	5000K	2x2	2600
SLLP-22-25-30-80-SD-SE	25	3000K	2x2	3087
SLLP-22-25-40-80-SD-SE	25	4000K	2x2	3250
SLLP-22-25-50-80-SD-SE	25	5000K	2x2	3250
SLLP-22-30-30-80-SD-SE	30	3000K	2x2	3420
SLLP-22-30-40-80-SD-SE	30	4000K	2x2	3600
SLLP-22-30-50-80-SD-SE	30	5000K	2x2	3600
SLLP-22-35-30-80-SD-SE	35	3000K	2x2	4322
SLLP-22-35-40-80-SD-SE	35	4000K	2x2	4550
SLLP-22-35-50-80-SD-SE	35	5000K	2x2	4550
SLLP-24-40-30-80-SD-SE	40	3000K	2x4	4940
SLLP-24-40-40-80-SD-SE	40	4000K	2x4	5200
SLLP-24-40-50-80-SD-SE	40	5000K	2x4	5200
SLLP-24-45-30-80-SD-SE	45	3000K	2x4	5557
SLLP-24-45-40-80-SD-SE	45	4000K	2x4	5850
SLLP-24-45-50-80-SD-SE	45	5000K	2x4	5850
SLLP-24-50-30-80-SD-SE	50	3000K	2x4	6175
SLLP-24-50-40-80-SD-SE	50	4000K	2x4	6500
SLLP-24-50-50-80-SD-SE	50	5000K	2x4	6500
SLLP-24-55-30-80-SD-SE	55	3000K	2x4	6792
SLLP-24-55-40-80-SD-SE	55	4000K	2x4	7150
SLLP-24-55-50-80-SD-SE	55	5000K	2x4	7150

High Efficacy

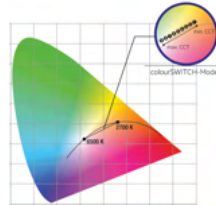
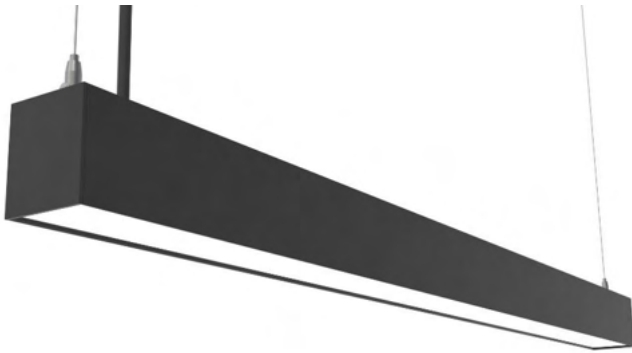
Model	Wattage	CCT	Size	Lumen Output
SLLP-14-20-30-80-SD-HE	20	3000K	1x4	2850
SLLP-14-20-40-80-SD-HE	20	4000K	1x4	3000
SLLP-14-20-50-80-SD-HE	20	5000K	1x4	3000
SLLP-14-25-30-80-SD-HE	25	3000K	1x4	3562
SLLP-14-25-40-80-SD-HE	25	4000K	1x4	3750
SLLP-14-25-50-80-SD-HE	25	5000K	1x4	3750
SLLP-14-30-30-80-SD-HE	30	3000K	1x4	4275
SLLP-14-30-40-80-SD-HE	30	4000K	1x4	4500
SLLP-14-30-50-80-SD-HE	30	5000K	1x4	4500
SLLP-14-35-30-80-SD-HE	35	3000K	1x4	4987
SLLP-14-35-40-80-SD-HE	35	4000K	1x4	5250
SLLP-14-35-50-80-SD-HE	35	5000K	1x4	5250
SLLP-22-20-30-80-SD-HE	20	3000K	2x2	2850
SLLP-22-20-40-80-SD-HE	20	4000K	2x2	3000
SLLP-22-20-50-80-SD-HE	20	5000K	2x2	3000
SLLP-22-25-30-80-SD-HE	25	3000K	2x2	3562
SLLP-22-25-40-80-SD-HE	25	4000K	2x2	3750
SLLP-22-25-50-80-SD-HE	25	5000K	2x2	3750
SLLP-22-30-30-80-SD-HE	30	3000K	2x2	4275
SLLP-22-30-40-80-SD-HE	30	4000K	2x2	4500
SLLP-22-30-50-80-SD-HE	30	5000K	2x2	4500
SLLP-22-35-30-80-SD-HE	35	3000K	2x2	4987
SLLP-22-35-40-80-SD-HE	35	4000K	2x2	5250
SLLP-22-35-50-80-SD-HE	35	5000K	2x2	5250
SLLP-24-40-30-80-SD-HE	40	3000K	2x4	5700
SLLP-24-40-40-80-SD-HE	40	4000K	2x4	6000
SLLP-24-40-50-80-SD-HE	40	5000K	2x4	6000
SLLP-24-45-30-80-SD-HE	45	3000K	2x4	6412
SLLP-24-45-40-80-SD-HE	45	4000K	2x4	6750
SLLP-24-45-50-80-SD-HE	45	5000K	2x4	6750
SLLP-24-50-30-80-SD-HE	50	3000K	2x4	7125
SLLP-24-50-40-80-SD-HE	50	4000K	2x4	7500
SLLP-24-50-50-80-SD-HE	50	5000K	2x4	7500
SLLP-24-55-30-80-SD-HE	55	3000K	2x4	7837
SLLP-24-55-40-80-SD-HE	55	4000K	2x4	8250
SLLP-24-55-50-80-SD-HE	55	5000K	2x4	8250

Wireless Switch

Starco BLE enabled wireless 4-8 button switch. Each button in the switch can be custom configured to control favorite luminaire, all luminaries, group, scene, scene animation from the controls mobile application.



SLLA LED ARCHITECTURAL LINEAR



Dynamic Range
3000K to 5000K



Description

The Starco SLLA LED Architectural Linear Light is a sleek and modern lighting solution designed for commercial and architectural applications. With its slim profile and customizable lengths, the SLLA offers uniform, high-quality illumination ideal for office spaces, retail environments, and public areas. Its energy-efficient LED technology provides both direct and indirect lighting options, ensuring optimal performance while reducing power consumption. The fixture is available in a variety of color temperatures and dimming capabilities, allowing for seamless integration into any lighting design. Durable and versatile, the SLLA enhances the aesthetics and functionality of any space.

Order Information

Example: SLLA-12-4-40-80-SD-HE-WH-U-27-D-DN

SLLA					
	Total Length	Max Section Length	CCT	CRI	Driver
SLLA =LED Architectural Linear	BLANK =Connector Modules 2=2ft 3=3ft 4=4ft 5=5ft 6=6ft ... 56=56ft <i>*Max 7 luminaire row length increments for single power feed. Max. 56ft</i>	BLANK =Connector Modules 2=2ft 3=3ft 4=4ft 8=8ft <i>*Refer to Width below for Connector Modules.</i>	27=3000K 30=3000K 35=3500K 40=4000K 50=5000K CS=CCT Selectable 3000/3500/4000K DR=Dynamic Color Tunable Range	80=80CRI 90=90CRI	SD=Standard Driver Selectable, 0-10V Dim TD= Wireless BLE Tunable Driver
HE					
Efficacy	Color	Voltage	Width	Dimming	Direction
HE =High Efficacy 140 LPW	BL =Black SL =Silver WH =White CS =Custom Color	U =120-277V H =120-347V	23=2.3" 27=2.7" Connector Modules: L=L Connector Modules T=T Connector Modules X=X Connector Modules	O =No Dimming D =0-10V Dimming	DI =100% Directional IN =100% Indirectional DN =50% Directional & 50% Indirectional

Accessories

Accessories	
<p>Wireless Accessories</p> <p>Sensors CYF=DC powered dual channel PIR motion & light sensor</p> <p>Switches CAI=AC powered interface for push, toggle and rotary switches CIV=Wireless 4 button switch CTV=Wireless 5 button switch RTS=Wireless 8 function Rotary Switch</p> <p>Gateway & Extenders WLUNE=Beacon & range extender ENORE=Gateway with ethernet & RTC</p> <p>Emergency Inverters EMDW-10=10W Emergency Inverter Wireless Pack EMDW-20=20W Emergency Inverter Wireless Pack</p>	<p>Standard Accessories</p> <p>Emergency Inverters EMD-10=10W Emergency Inverter Pack EMD-20=20W Emergency Inverter Pack</p> <p>Dimmers LVDC-A019=Rotary 0-10V Dimmer</p> <p>Kits PMK=Pendent Mount Kit TPK=T-Grid Pendent Mount Kit SMK=Surface Mount Kit WMK=Wall Mount Kit RMK=Recessed Mount Kit LB=Link Bracket PCL=PC Frosted Lens BL=Batwing Frosted Lens LL=Louver Lens</p> <p><i>*Fixtures come standard with a PMK pendant mounting kit.</i></p>

Performance Data

Width	Section Length	Wattage Package	Wattage	CCT	Lumen Output	CRI	Efficacy	Lumen/ft
2.3"	2ft	10/13/16W	10	4000K	1380	80	138	690
			13	4000K	1781	80	137	891
			16	4000K	2176	80	136	1088
	3ft	15/19/24W	15	4000K	2070	80	138	690
			19	4000K	2603	80	137	868
			24	4000K	3264	80	136	1088
	4ft	20/26/32W	20	4000K	2760	80	138	690
			26	4000K	3562	80	137	891
			32	4000K	4352	80	136	1088
	8ft	38/51/64W	38	4000K	5244	80	138	656
			51	4000K	6987	80	137	873
			64	4000K	8704	80	136	1088
2.7"	2ft	12/15/20W	12	4000K	1656	80	138	828
			15	4000K	2055	80	137	1028
			20	4000K	2720	80	136	1360
	3ft	18/23/30W	18	4000K	2484	80	138	828
			23	4000K	3151	80	137	1050
			30	4000K	4080	80	136	1360
	4ft	25/30/40W	25	4000K	3450	80	138	863
			30	4000K	4110	80	137	1028
			40	4000K	5440	80	136	1360
	8ft	48/60/80W	48	4000K	6624	80	138	828
			60	4000K	8220	80	137	1028
			80	4000K	10880	80	136	1360
L-Connector Module	16.65"x16.65"	16/20/26W	16	4000K	2208	80	138	/
			20	4000K	2740	80	137	/
			26	4000K	3536	80	136	/
T-Connector Module	16.65"x30.55"	23/30/37W	23	4000K	3174	80	138	/
			30	4000K	4110	80	137	/
			37	4000K	5032	80	136	/
X-Connector Module	30.55"x30.55"	30/38/50W	30	4000K	4140	80	138	/
			38	4000K	5206	80	137	/
			50	4000K	6800	80	136	/

SLAL1 LED AREA LIGHT



Description

The Starco SLAL1 LED Area Light is a high-performance, energy-efficient lighting solution designed for outdoor spaces such as parking lots, streets, and large open areas. This versatile fixture features advanced LED technology, providing bright, uniform illumination with reduced energy consumption compared to traditional lighting systems. The SLAL1 is built to withstand harsh environmental conditions with a durable, weather-resistant housing. Its sleek design and multiple mounting options make it an ideal choice for enhancing visibility and safety in various outdoor applications. SLAL1 offers a range of lumen packages from 11,000 to 80,000 lumens and delivers up to 160 lumens per watt for maximum rebate eligibility and years of free maintenance.

Order Information

Example: SLLA-12-4-DR-80-TD-SE-BL-U-27-D-DN

SLAL1						
Series	Wattage	Optics	CCT	Voltage	Sensor	Color
SLAL1=LED Area Light	150 = 70/100/150W 200 = 200W 300 = 200/240/300W 400 = 400W 500 = 400/450/500W	2=Type II 3=Type III 4=Type IV 5=Type V	30=3000K 40=4000K 50=5000K CS=CCT Adjustable 3000k/4000K/5000K	U=120-277V H=277-480V	SC=Shorting cap PC=Photocell sensor PS=PIR sensor MS=Microwave sensor BM=Microwave sensor PM=Photocell & Microwave occupancy sensor PP=Photocell & PIR occupancy sensor	BR=Bronze WH=White BL=Black

Accessories

- SLAL1-MK1=Slip fitter
- SLAL1-MK2=Square/round pole mount with slip fitter
- SLAL1-MK3=Square/round pole mount
- SLAL1-MK4=Trunnion mount
- SLAL1-MK5=Yoke mount
- SLAL1-MK6=Arm mount with slip fitter
- SLAL1-MK7=House shield

Performance Data

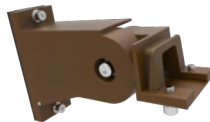
Wattage	CRI	Lumens	Efficacy	CCT
70	80	11200	160	4000K/5000K
70	80	10500	150	3000K
100	80	16000	160	4000K/5000K
100	80	15000	150	3000K
150	80	24000	160	4000K/5000K
150	80	22500	150	3000K
200	80	32000	160	4000K/5000K
200	80	30000	150	3000K
240	80	38400	160	4000K/5000K
240	80	36000	150	3000K
300	80	48000	160	4000K/5000K
300	80	45000	150	3000K
400	80	64000	160	4000K/5000K
400	80	60000	150	3000K
450	80	72000	160	4000K/5000K
450	80	67500	150	3000K
500	80	80000	160	4000K/5000K
500	80	75000	150	3000K

Mounting

SLALI-MK1
Slip fitter



SLALI-MK2
Square/round pole mount
with slip fitter



SLALI-MK3
Square/round pole mount



SLALI-MK4
Trunnion mount



SLALI-MK5
Yoke mount



SLALI-MK6 A
Arm mount with slip fitter



SLWP1 LED WALLPACK



Description

The Starco SLWP1 LED Wall Pack is a versatile and energy-efficient lighting solution designed for exterior building facades, walkways, and perimeter security. This wall pack features high-performance LEDs that deliver bright, consistent illumination while consuming minimal energy. Its durable, weather-resistant housing ensures long-lasting performance in various outdoor conditions. The SLWP1 is easy to install and maintain, offering a sleek design that complements a wide range of architectural styles. Ideal for enhancing safety and visibility, the SLWP1 LED Wall Pack is a reliable choice for commercial and industrial applications.

Order Information

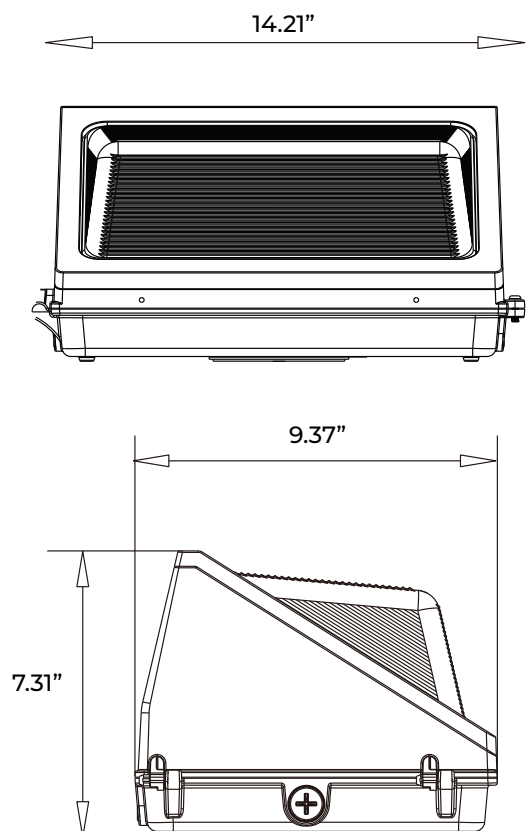
Example: SLWP1-100-C-U-PC-BL

SLWP1					
Series	Wattage	CCT	Voltage	Sensor	Color
SLWP1 =LED Wall Pack	40= 20/30/40W 100= 60/80/100W 120= 120W	CS=CCT Selectable 3000K/4000K/5000K	U=120-277V H=277-480V	PC =Photocell sensor PS =PIR sensor MS =Microwave sensor BM =Microwave sensor PM =Photocell & Microwave occupancy sensor PP =Photocell & PIR occupancy sensor	BL =Black BR =Bronze
Accessories					
SLWP1-HS =Housing shield for SLWP1 Wall Pack EMD-10 =10W Emergency Battery Pack EMD-20 =20W Emergency Battery Pack					

Performance Data

Wattage	CRI	Lumens	Efficacy	CCT
20	70	3600	160	4000K/5000K
20	70	3400	150	3000K
30	70	4800	160	4000K/5000K
30	70	4500	150	3000K
40	70	6400	160	4000K/5000K
40	70	6000	150	3000K
60	70	9600	160	4000K/5000K
60	70	9000	150	3000K
80	70	12800	160	4000K/5000K
80	70	12000	150	3000K
100	70	16000	160	4000K/5000K
100	70	15000	150	3000K
120	70	19200	160	4000K/5000K
120	70	18000	150	3000K

Dimension



SLWP2 LED WALLPACK



Description

Our new Cut-Off Wall Pack features a robust die-cast aluminum housing with a durable powder coat finish, paired with a UV-stabilized polycarbonate lens for long-lasting performance. Designed for versatility, it supports AC 120-277V, 120-347V, and 277-480V input voltages and offers 0-10V dimming. UL/DLC 5.1 Premium certified, this Type III wall-mounted fixture is ideal for illuminating parking areas, entryways, loading docks, and pathways, delivering reliable, efficient lighting for outdoor applications.

Order Information

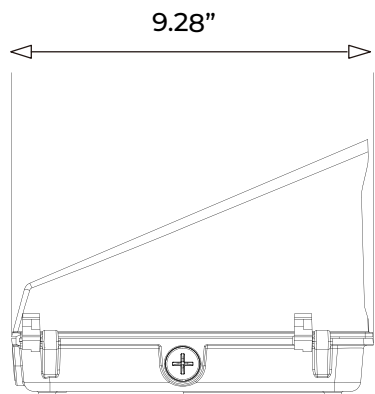
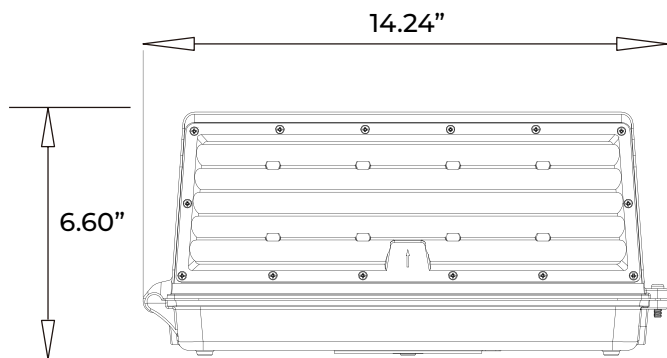
Example: SLWP2-100-C-U-PC-BL

SLWP2					
Series	Wattage	CCT	Voltage	Sensor	Color
SLWP2=LED Wall Pack	40= 20/30/40W 100= 60/80/100W 120= 120W	CS=CCT Selectable 3000K/4000K/5000K	U=120-277V H=277-480V	BLANK=No sensor PC=Photocell sensor PS=PIR sensor MS=Microwave sensor BM=Bluetooth Microwave sensor PM=Photocell & Microwave occupancy sensor PP=Photocell & PIR occupancy sensor	BL=Black BR=Bronze
Accessories					
EMD10 = 10W Emergency Battery Pack					
EMD20 = 20W Emergency Battery Pack					

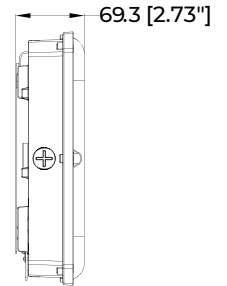
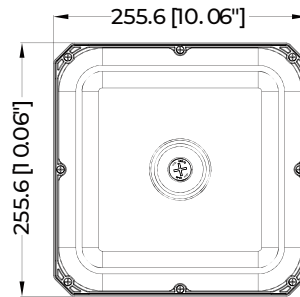
Performance Data

Wattage	CRI	Lumens	Efficacy	CCT
20	70	3600	160	4000K/5000K
20	70	3400	150	3000K
30	70	4800	160	4000K/5000K
30	70	4500	150	3000K
40	70	6400	160	4000K/5000K
40	70	6000	150	3000K
60	70	9600	160	4000K/5000K
60	70	9000	150	3000K
80	70	12800	160	4000K/5000K
80	70	12000	150	3000K
100	70	16000	160	4000K/5000K
100	70	15000	150	3000K
120	70	19200	160	4000K/5000K
120	70	18000	150	3000K

Dimension



SLCLI LED CANOPY



Description

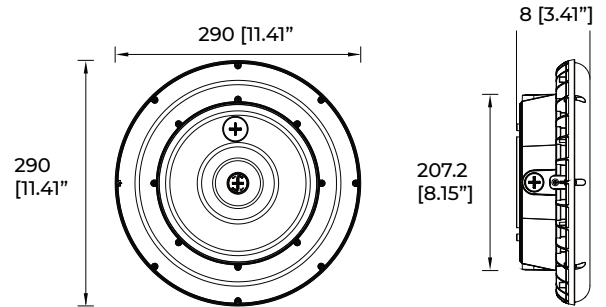
The SLCLI Canopy Light is a slim, durable, and lightweight luminaire designed to provide a visually appealing and efficient lighting experience. It can be surface-mounted directly to the ceiling or pendant-mounted using rigid conduit, offering installation flexibility. The SLCLI features a lightweight construction and a quick, easy-to-use mounting plate for hassle-free installation and hands-free wiring. Whether for new construction or retrofit applications, the SLCLI Canopy Light ensures years of reliable, low-maintenance operation, helping you stay on budget without compromising on performance.

Order Information

Example: SLCLI-80-50-U-PS-BR

SLCLI					
Series	Wattage	CCT	Voltage	Sensor	Color
SLCLI =LED Canopy	40= 20/30/40W 80= 40/60/80W	30=3000K 40=4000K 50=5000K CS=CCT Selectable 3000K/4000K/5000K	U=120-277V H=277-480V	PS=PIR sensor MS=Microwave sensor BM=Bluetooth sensor	BR=Bronze
Accessories					
EMD-10=10W Emergency Battery Pack EMD-20=20W Emergency Battery Pack					

SLCL2 LED ROUND CANOPY



Description

The SLCL2 Round Canopy Light features a robust die-cast aluminum housing with a durable powder coat finish and a UV-stabilized polycarbonate lens, ensuring long-lasting performance in various environments. It supports a versatile input voltage of AC 120-277V/120-347V and offers 0-10V dimming for adaptable lighting control. Designed for surface mounting on round poles, the SLCL2 is UL/DLC 5.1 Premium certified, making it ideal for use in parking garages, underground passageways, and corridors. With a 150° beam angle, it delivers wide, efficient illumination for these applications.

Order Information

Example: SLCL2-80-50-U-PS-BR

SLCL2					
Series	Wattage	CCT	Voltage	Sensor	Color
SLCL2 =LED Canopy	40= 20/30/40W 80= 40/60/80W 100= 60/80/100W	30=3000K 40=4000K 50=5000K CS=CCT Selectable 3000K/4000K/5000K	U=120-277V H=277-480V	PS=PIR sensor MS=Microwave sensor BM=Bluetooth sensor	BR=Bronze
Accessories					
EMD-10=10W Emergency Battery Pack					
EMD-20=20W Emergency Battery Pack					

SLST2 LED SPORT LIGHT



Description

The SLST2 LED Sport Light is a high-performance lighting solution designed for outdoor sports fields, stadiums, and large-area applications. Available in 300W to 1200W, a range of lumen packages from 48,000 to 192,000 lumens configurations, it delivers powerful illumination with multiple optical options for improved visibility.

Built with a rugged die-cast aluminum housing, the SLST2 ensures long-lasting durability and superior heat dissipation. It features multiple beam angle options, 0-10V dimming, and optional wireless controls, making it ideal for professional sports lighting, parking lots, and industrial yards. UL certified, the SLST2 is the perfect upgrade for high-output lighting needs with maximum energy savings and reliability.

Order Information

Example: SLST2-300-60-50-U-BL

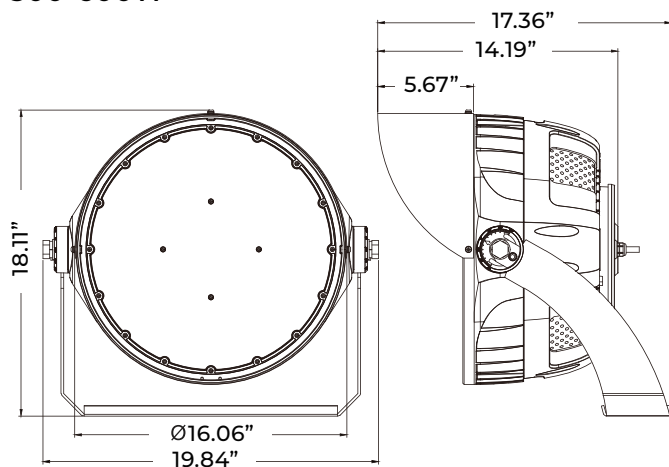
SLST2					
Series	Wattage	Optics	CCT	Voltage	Color
SLST2=LED Stadium Light	300 = 300W	15=15°	40=4000K	U=120-277V	BL=Black
	400 = 400W	25=25°	50=5000K	H=277-480V	
	500 = 500W	40=40°	65=6500K		
	600 = 600W	60=60°			
	800 = 800W	80=80°			
	1000 = 1000W				
	1200 = 1200W				
Accessories					
SLST2-MK1=Slip fitter					
SLST2-MK2=Yoke mount					
SLST2-MK3=Cover shield					

Performance Data

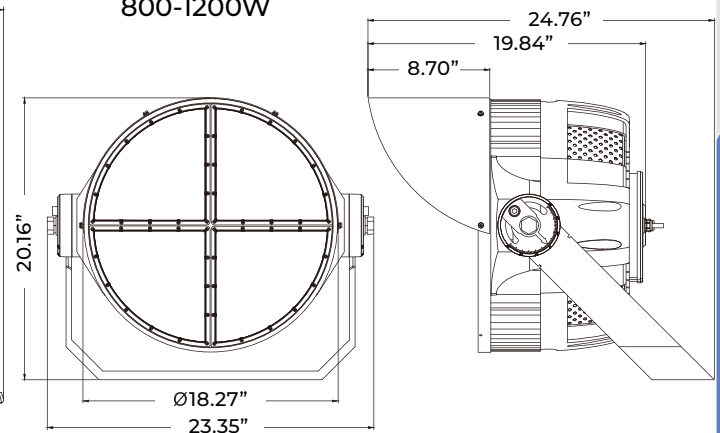
Wattage	CRI	Lumens	Efficacy	CCT
300	70	48000	160	4000K/5000K
300	70	49500	165	6500K
400	70	64000	160	4000K/5000K
400	70	66000	165	6500K
500	70	80000	160	4000K/5000K
500	70	82500	165	6500K
600	70	96000	160	4000K/5000K
600	70	99000	165	6500K
800	70	128000	160	4000K/5000K
800	70	132000	165	6500K
1000	70	160000	160	4000K/5000K
1000	70	165000	165	6500K
1200	70	192000	160	4000K/5000K
1200	70	198000	165	6500K

Dimension

300-600W



800-1200W



SLGL LED GROW LIGHT



Description

The Starco SLGL is a well designed LED grow light suitable for indoor hydroponic cannabis growing with full spectrum. SLGL is a high performance solution for commercial horticulture cultivation designed for commercial vertical growing pushing the envelope with high PPF requirements.

Order Information

Example: SLGL-630-R-FS-D-W

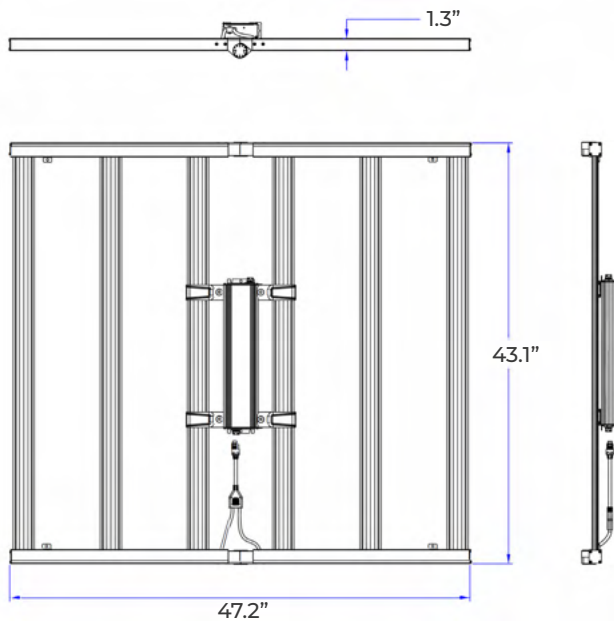
SLGL					
Series	Wattage	Input Voltage	Spectrum	Dimming	Finish
SLGL=LED Grow Light	320=320W 630=630W 720=630W 840= 840W 1000=1000W	R=120-277V H=480V	FS=Full Spectrum DS= Dual Spectrum CS= Custom Spectrum	D=0-10V Dimming DM= 3-Channel Control (for use with Boosters)	W=White Finish
Accessories (Included)					
(1) Data Cord (2) Bolts (2) V-hooks (2) Adjustable Pulley Systems		(4) Aircraft Cables			

Performance Data

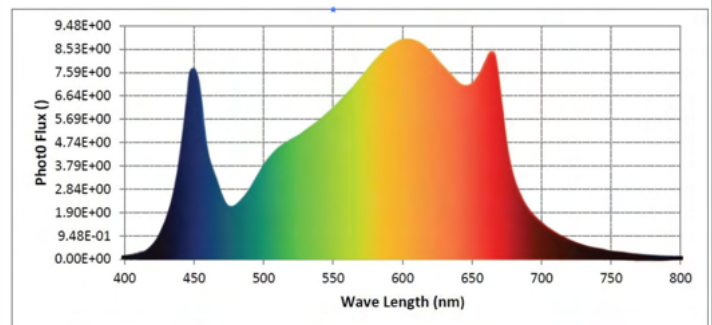
AC Input Power	320W, 630W, 720W, 840W, 1000W
Light Output PPF	320W: 870 $\mu\text{mol/s}$ 630W: 1700 $\mu\text{mol/s}$ 720W: 1950 $\mu\text{mol/s}$ 840W: 2,260 $\mu\text{mol/s}$ 1000W: 2,700 $\mu\text{mol/s}$
AC Input Voltage	120-277V, 50/60 Hz
Light Distribution	120°
PPE	2.7+ $\mu\text{mol/J}$
Power Factor	> 0.9
Control	0-10V Dimming
Operating Temperature	-20°C to 50°C
Certification	UL 8800, DLC
THD	<20%
Warranty	5 Year 6 Year (320W & 630W)
Photon Maintenance Q90	>50,000 hours

24"	392				895				388
18"		683			1029			650	
12"			978		1140		954		
6"				1112	1140	1105			
0"	458	736	985	1117	1146	1101	971	729	446
6"				1103	1131	1094			
12"			970		1100		942		
18"		670			1018			638	
24"	383				881				375
	24"	18"	12"	6"	0"	6"	12"	18"	24"

Dimension



Spectrum



SLGLRD MULTI-SPECTRUM LED GROW LIGHT WITH CAMERA



Description

Introducing our cutting-edge R&D Grow Light, meticulously designed to revolutionize your research and development endeavors in the field of horticulture. With six distinct LED channels, this innovative lighting solution offers unparalleled versatility and precision for your experiments. Each LED channel is fully adjustable, allowing you to fine-tune the spectrum and intensity of light according to your specific research requirements. This level of customization empowers you to optimize plant growth conditions, simulate various environmental scenarios, and explore the nuanced effects of light on different crops.

Designed with the needs of researchers in mind, our R&D Grow Light provides a dynamic platform for experimentation, enabling you to delve into the intricacies of plant responses to light. Whether you are studying photosynthesis, conducting breeding trials, or exploring growth patterns, this grow light offers the flexibility and control necessary to achieve meaningful results.

Order Information

Example: SLGLRD-1000-R-FS-D-W

SLGLRD					
Series	Wattage	Input Voltage	Spectrum	Accessories	Add-on
SLGLRD=LED Grow Light	1000=1000W 1500=1500W	R=120-277V H=480V	FS=385,450,660,720nm & 3000K & 6500K CS=Custom:355, 385, 435, 450, 660, 720nm & 1800K,2700K, 3000K, 5000K, 6500K	D6=6 Channel Analog Dimmer DIC= 6-Channel Digital Interface Controller	IAC=Integrated AI Camera System IPS=Image Post-Processing Software
Accessories (Included)					
(1) Data Cord (2) Bolts (2) V-hooks (2) Adjustable Pulley Systems		(4) Aircraft Cables			

Performance Data

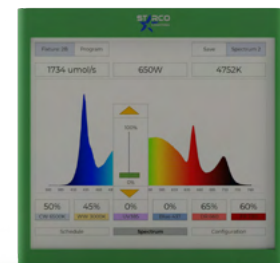
AC Input Power	1000W 1500W
Light Output PPF	1000W: 2,700 $\mu\text{mol/s}$ 1500W: 4,050 $\mu\text{mol/s}$
AC Input Voltage	120-277V, 50/60 Hz
Light Distribution	120°
PPE	2.7+ $\mu\text{mol/J}$
Power Factor	> 0.9
Control	0-10V Dimming
Operating Temperature	-20°C to 50°C
Certification	UL 8800, DLC pending
THD	<20%
Warranty	5 Year
Photon Maintenance Q90	>50,000 hours

Control

Experience unprecedented control and precision with our advanced R&D Grow Light's state-of-the-art control system. Tailored for researchers and growers who demand the utmost in customization, this intuitive interface puts the power in your hands.

Our user-friendly control system allows you to effortlessly manipulate each of the six LED channels independently. Fine-tune the spectrum and intensity with precision, giving you the ability to create bespoke lighting conditions for your experiments. Whether you're simulating specific environmental scenarios or conducting targeted studies on plant responses to light, our control system provides the flexibility you need.

Seamlessly adjust settings, save and replicate configurations, and monitor real-time data, all through an intuitive interface that simplifies the complexities of light management. The control system is designed to be as dynamic and adaptable as your research, ensuring that you have the tools to unlock new insights in the realm of horticulture.

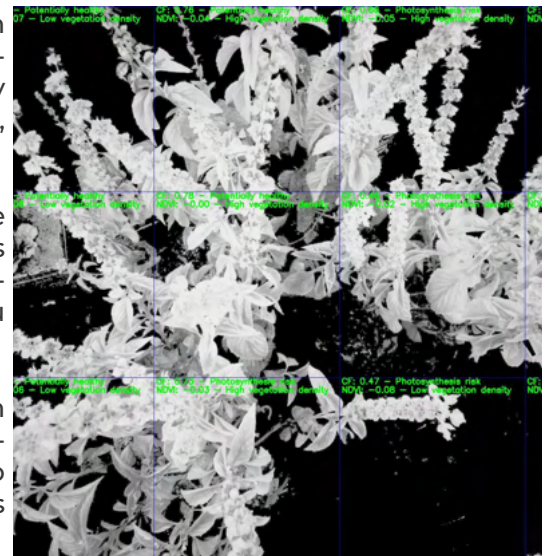


AI Camera System

Introducing our groundbreaking R&D Grow Light equipped with an intelligent AI Camera System, a game-changer in plant disease detection and prevention. This cutting-edge technology takes horticulture research to new heights by providing real-time, data-driven insights into the health of your plants.

Our AI Camera System employs advanced algorithms to analyze subtle changes in plant foliage, detecting early signs of diseases with unparalleled accuracy. From nutrient deficiencies to potential infections, the system acts as a vigilant guardian, alerting you to issues before they become visible to the naked eye.

The integration of artificial intelligence allows the camera system to continuously learn and adapt, refining its detection capabilities over time. This proactive approach enables researchers to take preemptive measures, minimizing the impact of diseases and optimizing plant health.





HARDWORKING LIGHTS FOR HARDWORKING PEOPLE

2495 Main Street, Suite 218, Buffalo NY 14214 | Phone: (716)-931-9322

www.starcous.com

©2021 Starco Lighting, Inc. All rights reserved