

Installation Instruction - SLTR Troffer Retrofit Kit

Warning, cautions and operating instructions

- To reduce the risk of death, personal injury or property damage from fire, electric shock, falling parts, cuts/abrasions, and other hazards read all warnings and instructions included with and on the fixture box and all fixture labels.
- Before installing, servicing, or performing routine maintenance upon this equipment, follow these general precautions.
- Commercial installation, service and maintenance of luminaires should be performed by a qualified licensed electrician.
- For the installation: If you are unsure about the installation or maintenance of the luminaires, consult a qualified licensed electrician and check your local electrical code.
- To prevent wiring damage or abrasion, do not expose wiring to edges of sheet metal or other sharp objects.
- Do not make or alter any open holes in an enclosure of wiring or electrical components during kit installation.

Warning: Risk of fire or electrical shock

- Turn off electrical power at fuse or circuit breaker box before wiring fixture to the power supply.
- Turn off the power when you perform any maintenance.
- Verify that supply voltage is correct by comparing it with the luminaire label information.
- Make all electrical and grounded connections in accordance with the National Electrical Code and any applicable local code requirements.
- All wiring connections should be capped with UL approved wire connectors.

Caution: Risk of injury

- Avoid direct eye exposure to the light source while it is on.
- Account for small parts and destroy packing material, as these may be hazardous to children.
- Risk of burn. Disconnect power and allow fixture to cool before changing bulb or handling fixture.

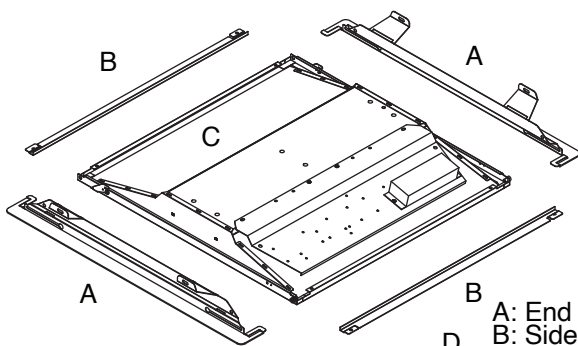
NOTICE: Green ground screw provided in proper location. Do not relocate.

NOTICE: Minimum 90°C supply conductors.

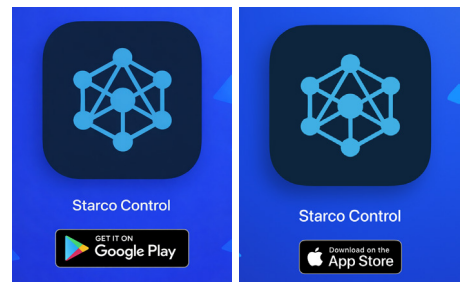
NOTICE: Specifications and dimensions subject to change without notice.

NOTICE: Suitable for Dry or Damp location, Type IC.

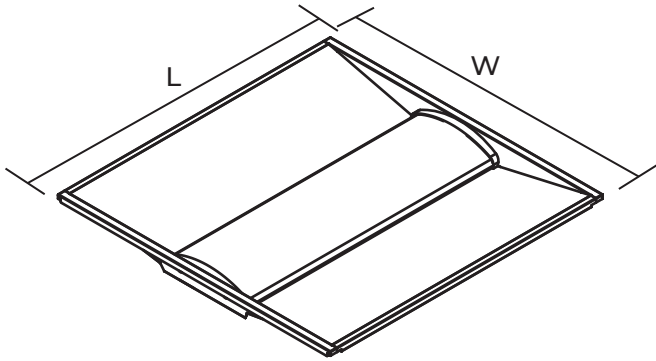
Dimensions



- | | | |
|----|---------------------|------|
| A: | End Plates | 2pcs |
| B: | Side Plates | 2pcs |
| C: | Door Assembly body | 1pc |
| D: | Self-tapping screws | 4pcs |



Installation Instruction - SLTR Troffer Retrofit Kit



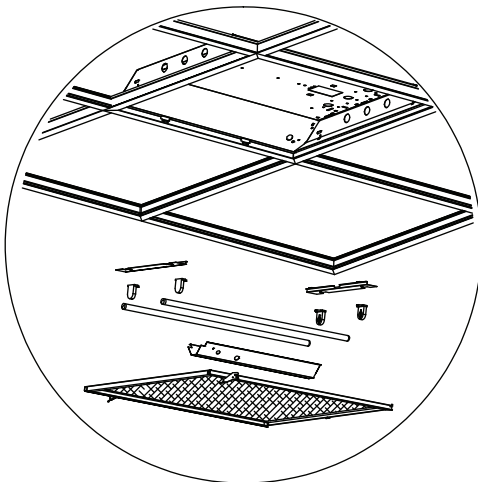
Model	L	W	H
1'x4'	1220	302	78
2'x2'	610	608	78
2'x4'	1220	608	78

Unit: mm

Wiring Diagram



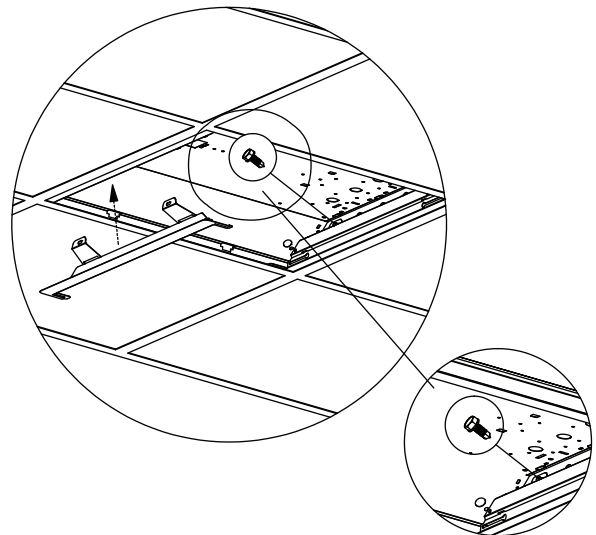
Recessed Mounting



Step 1. Power Disconnection

Before starting, disconnect all power to the fixture. Remove all existing hardware, including lens or lens frame, parabolic louver, reflectors or ballast covers, brackets, and lamps/lamp holders. Leave the supply and grounding leads in place.

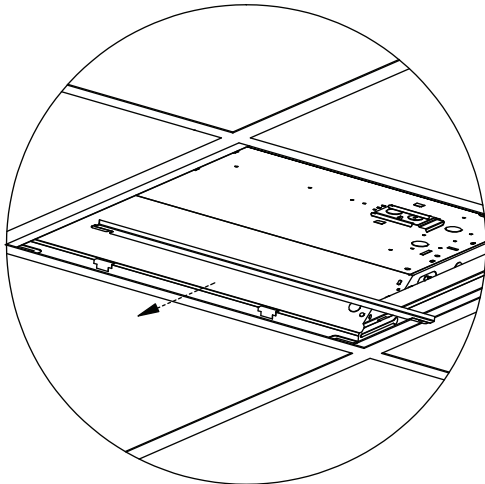
Note: Follow all federal and local regulations when disposing of lamps and removed components.



Step 2. Install End Brackets

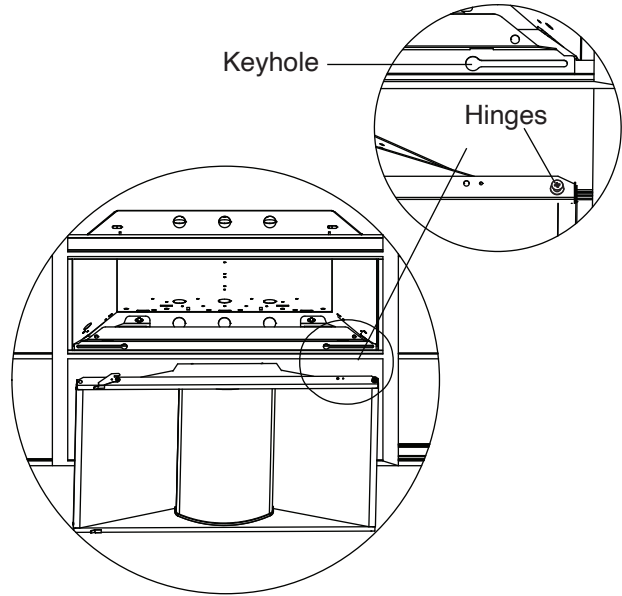
Gently lift the existing fixture and attach LED troffer end brackets to each end, positioning them between the fixture and the T-grid.

Installation Instruction - SLTR Troffer Retrofit Kit



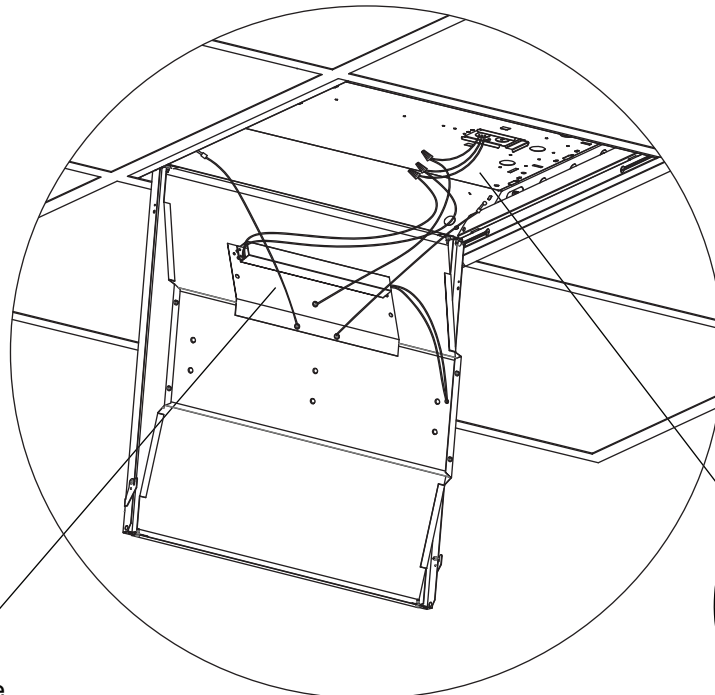
Step 3. Adjust Gap

If there is a noticeable gap between the fixture and the T-grid, install LED troffer side brackets. Two tabs on the end brackets allow the side brackets to slide into place. Fasten the LED troffer brackets to the existing fixture using the provided #8 x 1/2-inch self-drilling screws.



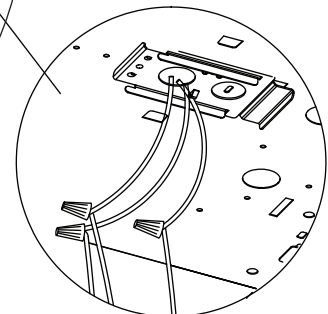
Step 4. Secure Brackets

Align the door assembly body with the keyholes on the end brackets, then slide it horizontally to the end of the slots to secure it.



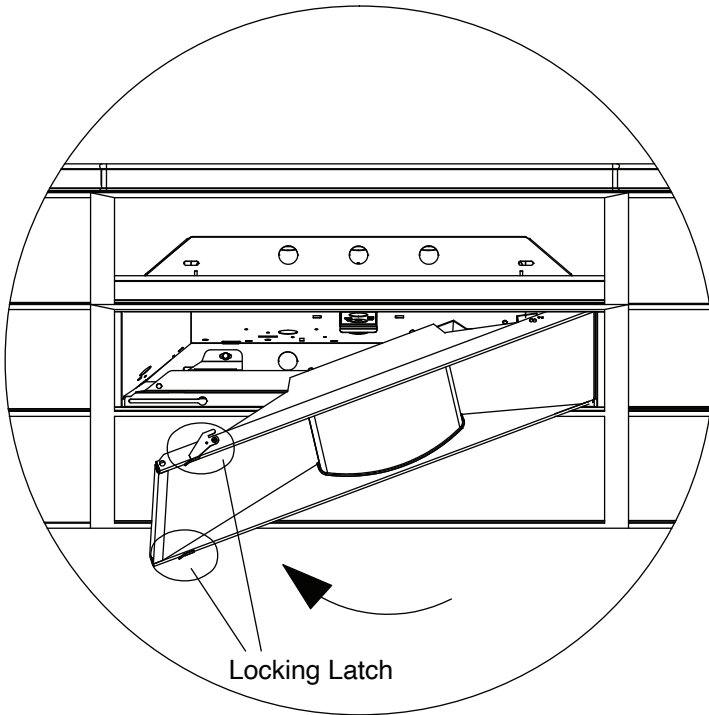
Safety cable

Step 5. Attach Door Assembly Body



Attach the safety cables into the designated holes located on the end brackets. Connect the troffer kit wire leads to the main power leads:
Black = Live, White = Neutral, Green = Ground.

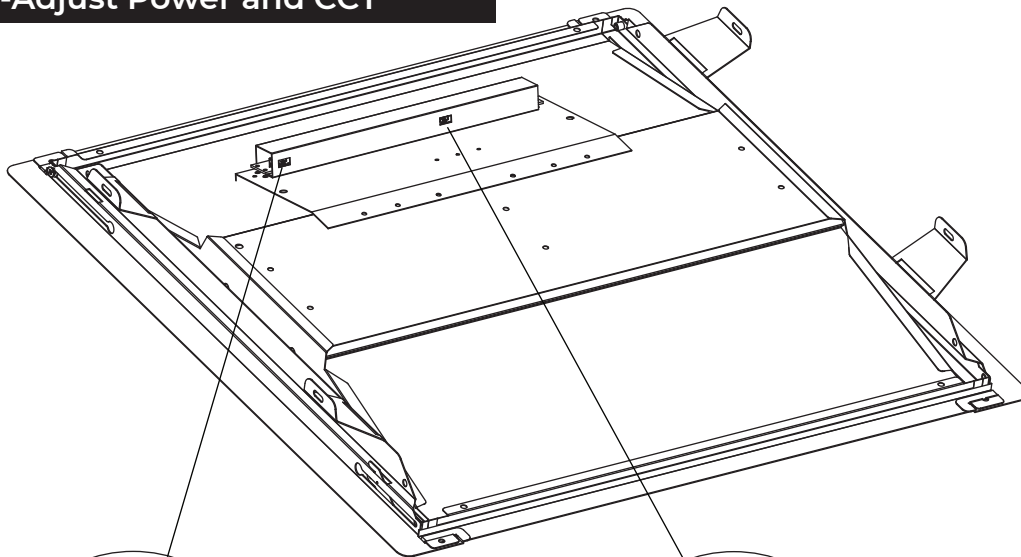
Installation Instruction - SLTR Troffer Retrofit Kit



Step 6. Secure Brackets

Lock the latches riveted on each end of the door frame to secure the door assembly body.

Field-Adjust Power and CCT



End users can adjust the color temperature and wattage using the two switches located on the driver.

Each switch offers multiple positions, corresponding to different color temperatures and wattage options. These settings allow for customized combinations of color temperature and light output.

1. The switches are located on the driver enclosure.
2. Select the desired wattage and color temperature by sliding the switches left, middle, or right accordingly.

CCT Switch

Wattage Switch