



SLWP1 LED WALL PACK

Project:	
Type:	
Note:	

DESCRIPTION

The Starco SLWP1 LED Wall Pack is a versatile and energy-efficient lighting solution designed for exterior building facades, walkways, and perimeter security. This wall pack features high-performance LEDs that deliver bright, consistent illumination while consuming minimal energy. Its durable, weather-resistant housing ensures long-lasting performance in various outdoor conditions. The SLWP1 is easy to install and maintain, offering a sleek design that complements a wide range of architectural styles. Ideal for enhancing safety and visibility, the SLWP1 LED Wall Pack is a reliable choice for commercial and industrial applications.



SPECIFICATION FEATURES

Construction & Materials

- Die-cast aluminum housing with powder coat finish maximize LED lifetime and optimal performance
- IP65 Rated
- UV resistant Glass lens
- Includes multiple mounting options
- Wattage & CCT Selectable

Electrical System

- High efficiency driver
- Input Voltage: 120-277V, 347V/480V, 50/60Hz
- Operating Temperature: -40°C (-40°F) to 45°C (113°F)
- 0-10V dimmable
- Non Flickering (Flicker rate <3%)
- Power Factor: >0.95
- Total Harmonic Distortion: <15%
- Surge Protection: 6kV

Optical System

- Glass lens

Occupancy Sensor

- Photocell
- Optional bluetooth remote control

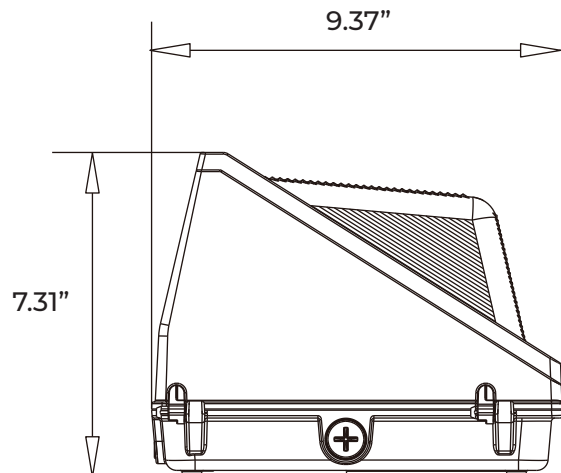
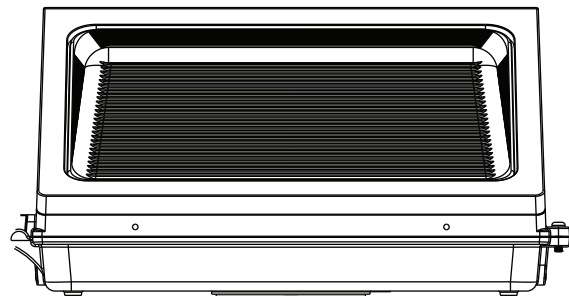
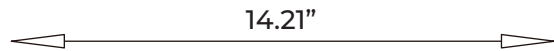
LED

- CRI: 70
- CCT: 3000K, 4000K, 5000K
- Calculated L₇₀ Lifetime: >295,000 hours @ 25°C
- Reported L₃₀ Lifetime: >86,000 hours @ 25°C

Warranty

- 10 Years

DIMENSION



ORDER INFORMATION

SLWPI LED WALL PACK

Example: SLWPI-100-C-U-O-BL

SLWPI					
Series	Wattage	CCT	Voltage	Sensor	Color
SLWPI =LED Wall Pack	40= 20/30/40W 100= 60/80/100W 120= 120W	30=3000K 40=4000K 50=5000K CS=CCT Selectable 3000K/4000K/5000K	U=120-277V H=277-480V	PC=Photocell sensor PS=PIR sensor MS=Microwave sensor BM=Microwave sensor PM=Photocell & Microwave occupancy sensor PP=Photocell & PIR occupancy sensor	BL=Black BR=Bronze
Accessories					
EMD-10=10W Emergency Inverter Pack SLWPI-MK1=House shield EMD-20=20W Emergency Inverter Pack EMD-30=30W Emergency Inverter Pack					

PERFORMANCE DATA

Wattage	CRI	Lumens	Efficacy	CCT
20	70	3600	160	4000K/5000K
20	70	3400	150	3000K
30	70	4800	160	4000K/5000K
30	70	4500	150	3000K
40	70	6400	160	4000K/5000K
40	70	6000	150	3000K
60	70	9600	160	4000K/5000K
60	70	9000	150	3000K
80	70	12800	160	4000K/5000K
80	70	12000	150	3000K
100	70	16000	160	4000K/5000K
100	70	15000	150	3000K