

## Installation Instruction - SE-WRAP1 Wraparound

### Warning, cautions and operating instructions

- To reduce the risk of death, personal injury or property damage from fire, electric shock, falling parts, cuts/abrasions, and other hazards read all warnings and instructions included with and on the fixture box and all fixture labels.
- Before installing, servicing, or performing routine maintenance upon this equipment, follow these general precautions.
- Commercial installation, service and maintenance of luminaires should be performed by a qualified licensed electrician.
- For the installation: If you are unsure about the installation or maintenance of the luminaires, consult a qualified licensed electrician and check your local electrical code.
- To prevent wiring damage or abrasion, do not expose wiring to edges of sheet metal or other sharp objects.
- Do not make or alter any open holes in an enclosure of wiring or electrical components during kit installation.

### Warning: Risk of fire or electrical shock

- Turn off electrical power at fuse or circuit breaker box before wiring fixture to the power supply.
- Turn off the power when you perform any maintenance.
- Verify that supply voltage is correct by comparing it with the luminaire label information.
- Make all electrical and grounded connections in accordance with the National Electrical Code and any applicable local code requirements.
- All wiring connections should be capped with UL approved wire connectors.

### Caution: Risk of injury

- Avoid direct eye exposure to the light source while it is on.
- Account for small parts and destroy packing material, as these may be hazardous to children.
- Risk of burn. Disconnect power and allow fixture to cool before changing bulb or handling fixture.

NOTICE: Green ground screw provided in proper location. Do not relocate.

NOTICE: Minimum 90°C supply conductors.

NOTICE: Specifications and dimensions subject to change without notice.

NOTICE: Suitable for Dry or Damp location, Type IC.

### Dimensions



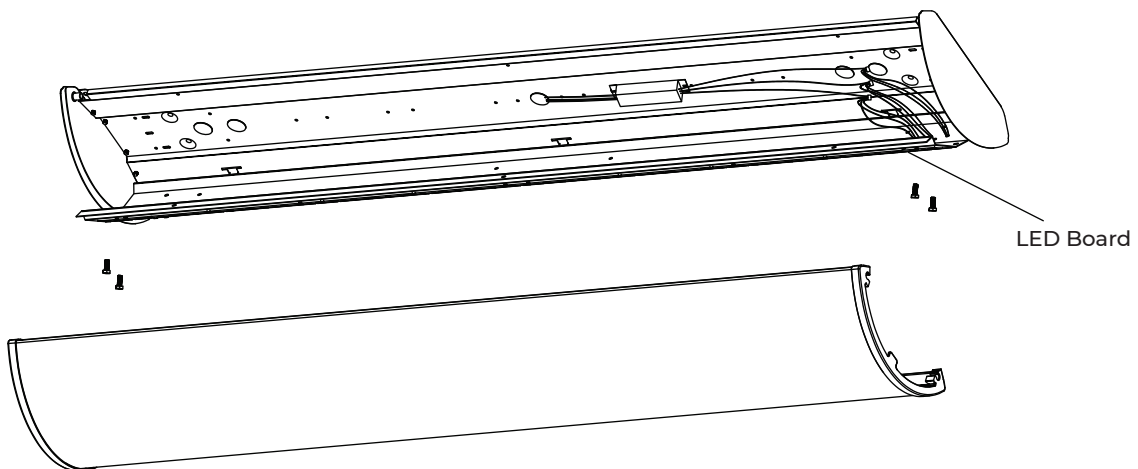
## Installation Instruction - SE-WRAP1 Wraparound

Model	L	W	H
4'	1169mm/46"	247/9.7"	87/3.4"
8'	2345mm/92"	247/9.7"	87/3.4"

### Wiring Diagram



### Surface Mounting



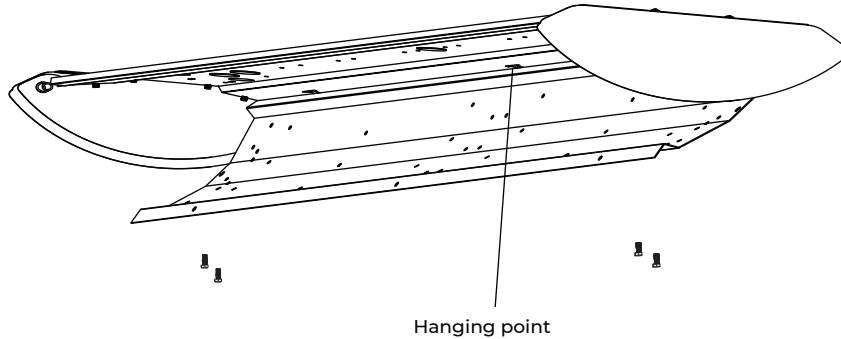
#### Step 1. Power Disconnection

Before starting, disconnect all power to the fixture. Remove all existing hardware, including lens or lens frame, parabolic louver, reflectors or ballast covers, brackets, and lamps/lamp holders. Leave the supply and grounding leads in place.

Remove the lens by gently pulling it away from the endcap rivets. (Fig. 1)

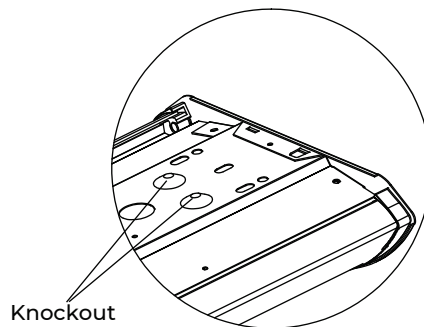
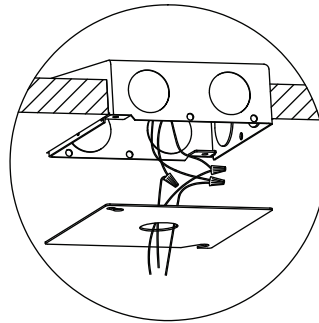
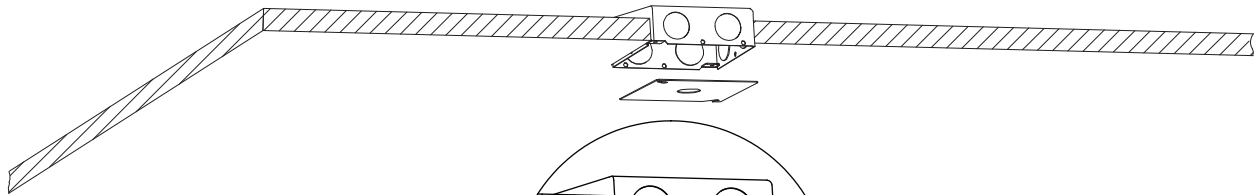
Note: Follow all federal and local regulations when disposing of lamps and removed components.

# Installation Instruction - SE-WRAP1 Wraparound



## Step 2. Remove LED Board

Remove the LED board by loosening and removing the mounting screws.



## Step 3. Wiring and Secure Fixture

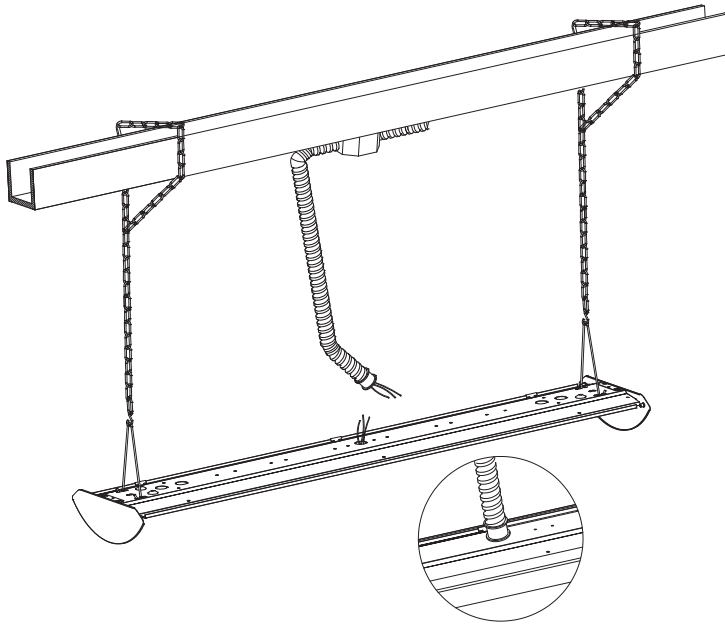
Complete wiring connections to the main power using code-compliant, UL-approved wire connectors as shown. Secure the fixture housing to the existing junction box using screws through the knockouts provided on both ends of the housing.

## Step 4. Reinstall LED Board and Lens

Reinstall the LED board, then attach the lens by hooking one side onto the housing and snapping the lens securely into place.

# Installation Instruction - SE-WRAP1 Wraparound

## Suspended Mounting



Step 1: Remove the fixture from the packaging.

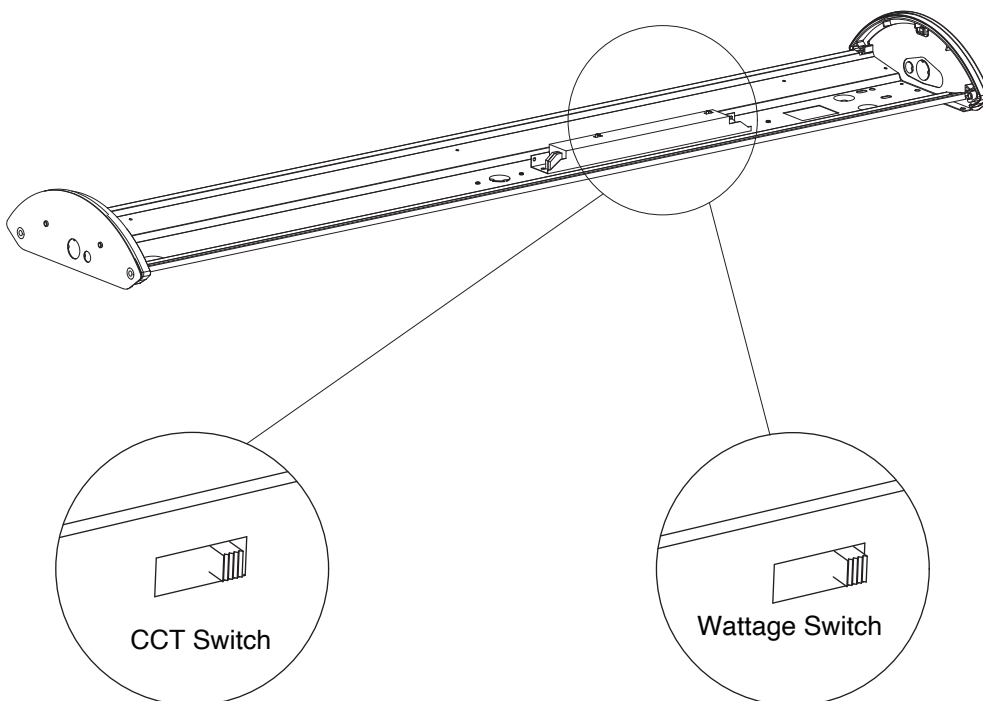
Step 2: Carefully remove the lens by pulling it away from the endcap rivets, then remove the screws to release the LED board.

Step 3: For mounting, attach the fixture housing using the V-hooks and hang the fixture as shown.

Step 4: Pull supply wires (by others) through the center access knockout in the housing via conduit. Make electrical connections to main power using code-compliant, UL-approved wire connectors as shown.

Step 5: Reinstall the LED board, ensuring all wires and connectors are secured behind the LED board. Attach the plastic trims to the lens, then hook the lens onto one side of the housing and snap it securely into place.

## Field-Adjust Power and CCT



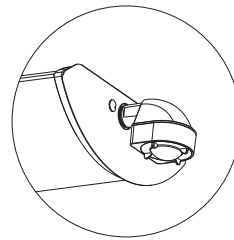
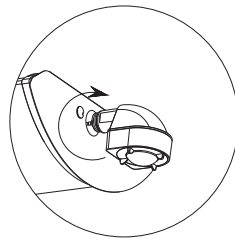
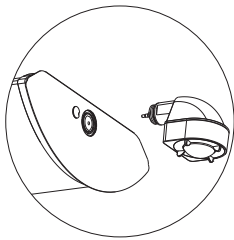
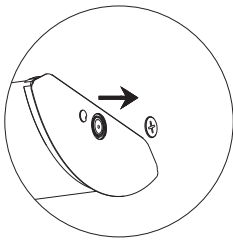
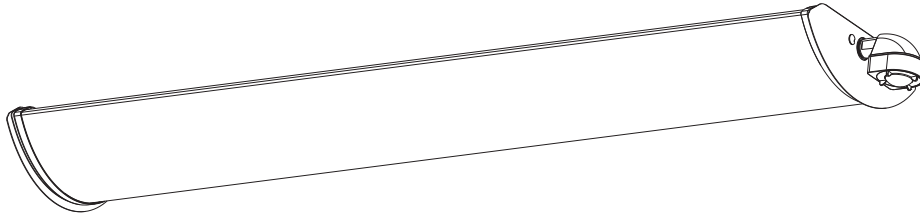
End users can adjust the color temperature and wattage using the two switches located on the driver.

Each switch offers multiple positions, corresponding to different color temperatures and wattage options. These settings allow for customized combinations of color temperature and light output.

1. The switches are located on the driver enclosure.
2. Select the desired wattage and color temperature by sliding the switches left, middle, or right accordingly.

## Installation Instruction - SE-WRAP1 Wraparound

### Sensor Mounting



#### Sensor Installation Steps

Step 1: Remove the protective plug from the sensor receptacle.

Step 2: Align and insert the sensor into the receptacle.

Step 3: Twist the sensor to lock it securely into position.