

Glide G1 - Phase Dimming Control

Project:	
Type:	
Note:	

DESCRIPTION

Glide G1 is a high-performance trailing-edge dimmer equipped with advanced BLE 5.2 wireless control. Designed for flexibility, it operates on a universal 90–277VAC input and supports single LED loads up to 250W. The device features integrated wiring for switch connectivity, along with an optional push-button input for intuitive ON/OFF and smooth dimming control.

Fully integrated into the Starco Control ecosystem, Glide G1 works seamlessly with Starco’s controllers, sensors, switches, modules, drivers, and gateways. Setup and commissioning are fast and user-friendly through mobile devices, while optional cloud connectivity enables remote management, system monitoring, and data-driven optimization.



SPECIFICATION FEATURES

Features

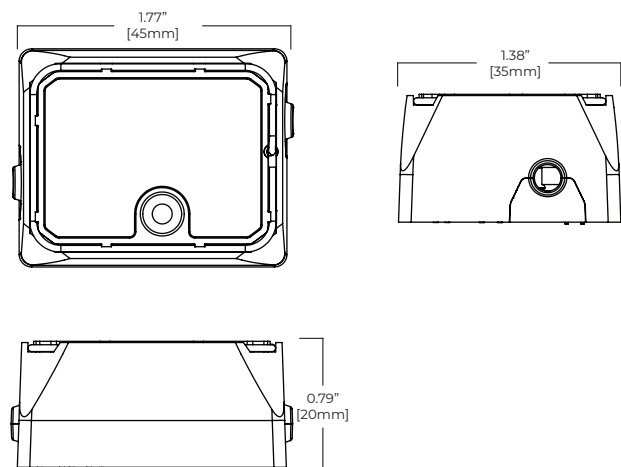
- 1 channel output
- Supports resistive and capacitive loads
- Load control up to 250W@277VAC
- Compact form factor for easy installation
- BLE5.2 based non-flooding intelligent communication
- Zero downtime Over-the-Air (OTA) firmware updates
- Conforms with DLC NLC5 Cybersecurity Standards
- Optional push button switch input to control the dimming and ON/OFF of the connected load

Warranty

- 5 Years

Specifications	Value
Frequency range	2402-2483 Mhz
Tx power	8dBm
Rx sensitivity	-95dBm
Connection distance	45m (147.6ft)
Operating temperature	-20 to 50°C (-4 to 122°F)
Storage temperature	-40 to 80°C (-40 to 176°F)
Dimension	1.7"x1.4"x0.8" (L x W x H)
Weight	120g (4.23oz)
Case material	ABS Plastic
Flammability	UL 94 V-0

DIMENSION



Specifications	Value	Remarks
Input voltage	90–277VAC	
Inrush current protection	75A	
Frequency	50/60Hz	
Max output power	125W	@90VAC
	250W	@277VAC
Dimming mode	Trailing edge	
Min power requirement	None	
Surge protection	4kV	

