

Mando - Crystal

Bluetooth Mesh Wireless Concentric Rotary Switch

DESCRIPTION

The Starco Control Mando Crystal Wireless Concentric Rotary Switch is a refined, versatile lighting control solution designed for both commercial applications, architectural spaces and luxury residential environments. Featuring a precision rotary dial with programmable buttons, it delivers smooth, intuitive control for dimming, color tuning, and scene selection—all through a clean, tactile interface. Multi-faceted crystal center designed to refract light, delivering a brilliant, shimmering appearance from all viewing angles.

Utilizing advanced Bluetooth® mesh technology, the Mando Crystal enables reliable wireless communication without the need for additional control wiring, making it ideal for both new construction and retrofit projects.

Engineered for flexibility, the device can be used as a portable remote with a battery-powered base or installed as a wall-mounted control, adapting effortlessly to different spaces and user preferences.

Fully configurable through the Starco Control platform, users can personalize functions such as scene recall, group control, and dynamic lighting effects. With its premium aesthetics, responsive control, and flexible installation, the Mando Crystal is perfectly suited for offices, hospitality settings, and high-end residential spaces where both performance and design matter.

SPECIFICATION FEATURES

Electrical

- No wires required for 760 mAh lithium battery-powered base.
- 120-277VAC line and neutral wires required for wall mounted base

Housing

- Aluminium housing
- Multi-faceted crystal center rotary panel
- Four engraved buttons
- Center crystal icon customizable

System Communication and Capacity

- Communicate via BLE 5.1 frequency range at 2400-2483 MHz
- Connect to Starco Control application to be fully configurable
- Can be configured to turn on, off, dim, set up scene and schedule lights in Starco Control application
- Communication range is up to 80ft (line of sight)

Operating Environment

- Operating ambient temperature: 0°C to 40°C (32°F to 104°F)
- Humidity 5% to 85% r.h. non-condensing relative
- Indoor use only

Mounting

- Fully remote with battery powered base
- Wall mount cover plate available

Warranty

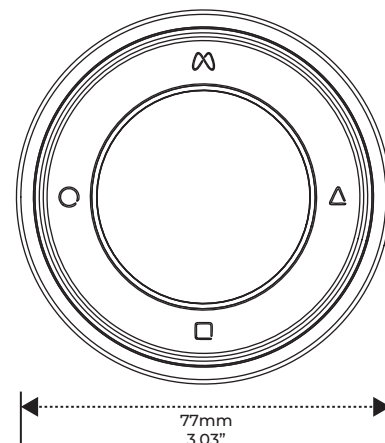
- 5 Years
- FCC Certified



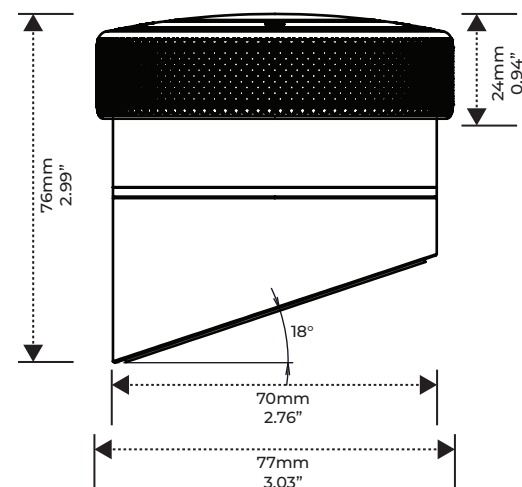
Project:	
Type:	
Note:	



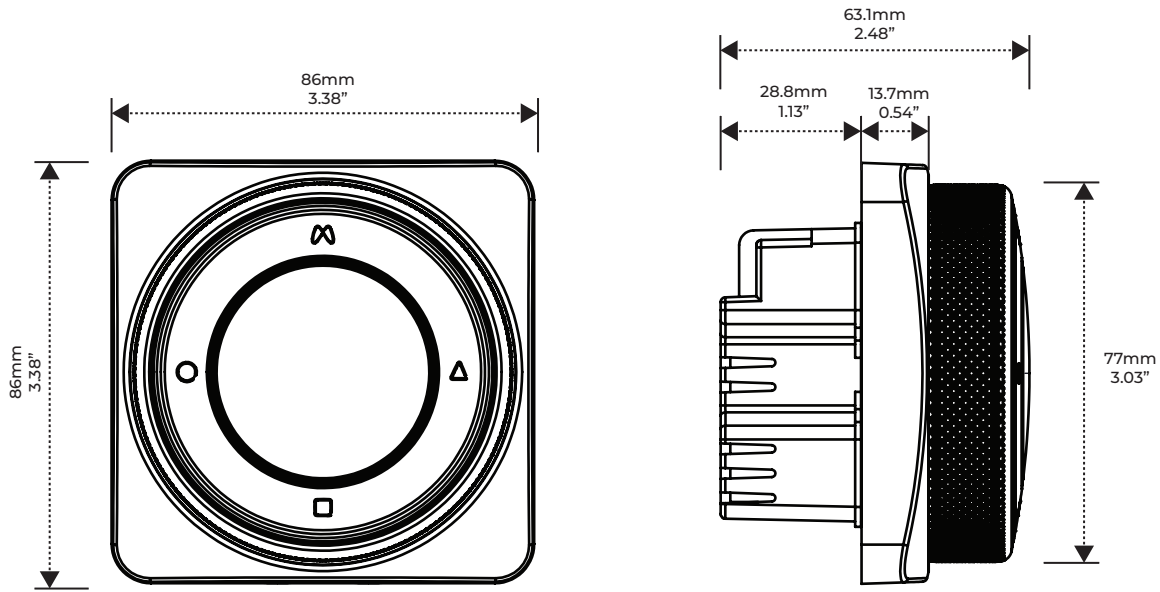
DIMENSION



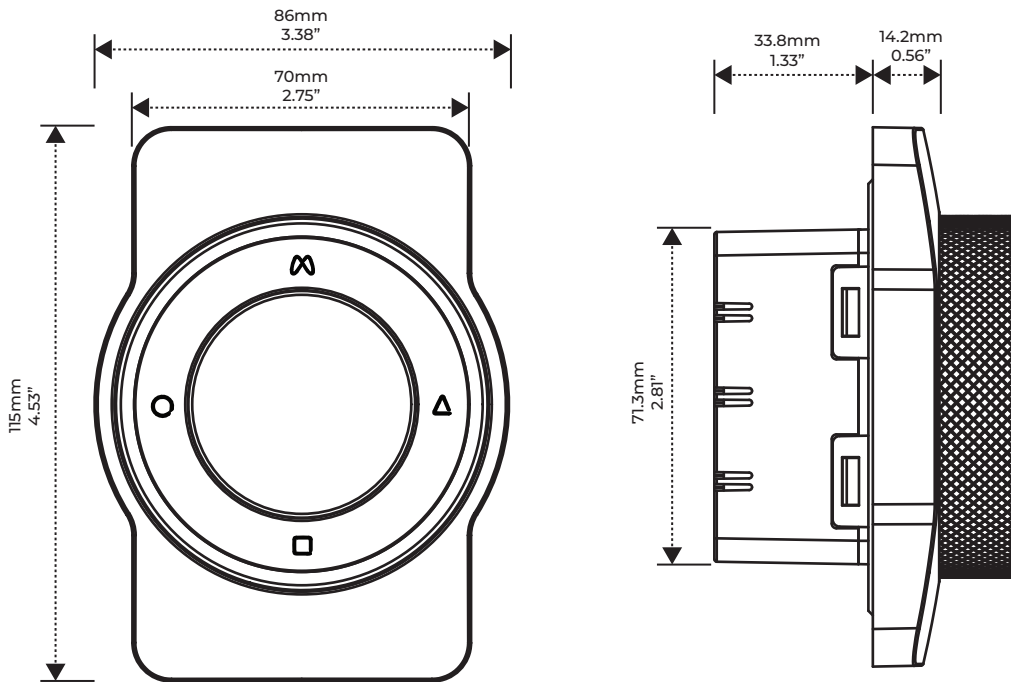
Battery-powered Base



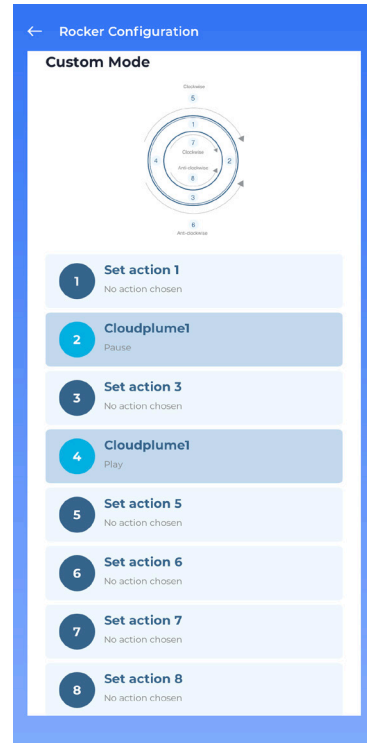
Square Wall Mount







Linear Wall Mount



Four Configurable Buttons



Buttons	Description
	Could set as on/off/Intensity up/Intensity down/CCT up/CCT down of individual or group of luminaires. Could use for scene, animation and schedule.
	Could set as on/off/Intensity up/Intensity down/CCT up/CCT down of individual or group of luminaires. Could use for scene, animation and schedule.
	Could set as on/off/Intensity up/Intensity down/CCT up/CCT down of individual or group of luminaires. Could use for scene, animation and schedule.
	Could set as on/off/Intensity up/Intensity down/CCT up/CCT down of individual or group of luminaires. Could use for scene, animation and schedule.
Outer Rotary Dial Clockwise	Could set as Intensity up/Intensity down/CCT up/CCT down of individual or group of luminaires. Could use for scene, animation and schedule.
Outer Rotary Dial Anti-Clockwise	Could set as Intensity up/Intensity down/CCT up/CCT down of individual or group of luminaires. Could use for scene, animation and schedule.
Inner Rotary Dial Clockwise	Could set as Intensity up/Intensity down/CCT up/CCT down of individual or group of luminaires. Could use for scene, animation and schedule.
Inner Rotary Dial Anti-Clockwise	Could set as Intensity up/Intensity down/CCT up/CCT down of individual or group of luminaires. Could use for scene, animation and schedule.

MANDO				
Model	Series	Mounting	Frame (only for wall mount)	Options
MANDO	C=Crystal	BP =Battery powered base SM =Square wall mount LM =Linear wall mount	MB =Matte black MG =Matte gray	Customize crystal available

Example:



MANDO-C-BP



MANDO-C-SM-MB



MANDO-C-SM-MG

Mando Control available with a premium presentation case, providing secure storage, protection during transport, and an enhanced, professional product presentation.



MANDO-CASE

Customize crystal center

The multi-faceted crystal center is designed to combine premium aesthetics with functional customization. Its precision-cut surfaces enhance light refraction, creating a brilliant, jewel-like appearance from every angle. The crystal insert can be fully customized with logos, icons, or text to suit a wide range of applications. This makes it ideal for identifying spaces such as conference rooms, private offices, or specialty areas with meaningful names, branding elements, or symbolic graphics. Whether used for corporate branding or wayfinding, the customizable crystal center adds a refined, high-end touch while clearly communicating purpose and identity within the environment.

