

## Mando - Oceana

Bluetooth Mesh Wireless Concentric Rotary Switch

### DESCRIPTION

The Starco Control Mando Oceana Wireless Concentric Rotary Switch is a refined, versatile lighting control solution designed for both commercial applications, architectural spaces and luxury residential environments. Featuring a precision rotary dial with programmable buttons, it delivers smooth, intuitive control for dimming, color tuning, and scene selection—all through a clean, tactile interface.

Utilizing advanced Bluetooth® mesh technology, the Mando Oceana enables reliable wireless communication without the need for additional control wiring, making it ideal for both new construction and retrofit projects.

Engineered for flexibility, the device can be used as a portable remote with a battery-powered base or installed as a wall-mounted control, adapting effortlessly to different spaces and user preferences.

Fully configurable through the Starco Control platform, users can personalize functions such as scene recall, group control, and dynamic lighting effects. With its premium aesthetics, responsive control, and flexible installation, the Mando Oceana is perfectly suited for offices, hospitality settings, and high-end residential

### SPECIFICATION FEATURES

#### Electrical

- No wires required for 760 mAh lithium battery-powered base.
- 120-277VAC line and neutral wires required for wall mounted base

#### Housing

- Aluminium housing
- Blue finish center rotary panel
- Four engraved buttons

#### System Communication and Capacity

- Communicate via BLE 5.1 frequency range at 2400-2483 MHz
- Connect to Starco Control application to be fully configurable
- Can be configured to turn on, off, dim, set up scene and schedule lights in Starco Control application
- Communication range is up to 80ft (line of sight)

#### Operating Environment

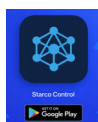
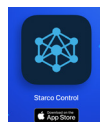
- Operating ambient temperature: 0°C to 40°C (32°F to 104°F)
- Humidity 5% to 85% r.h. non-condensing relative
- Indoor use only

#### Mounting

- Fully remote with battery powered base
- Wall mount cover plate available

#### Warranty

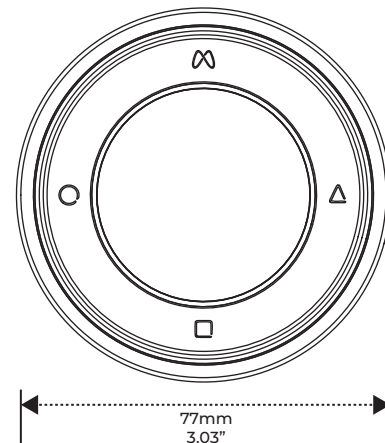
- 5 Years
- FCC Certified



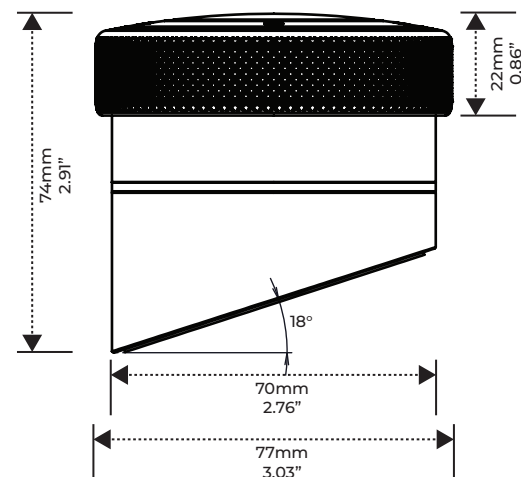
|          |  |
|----------|--|
| Project: |  |
| Type:    |  |
| Note:    |  |



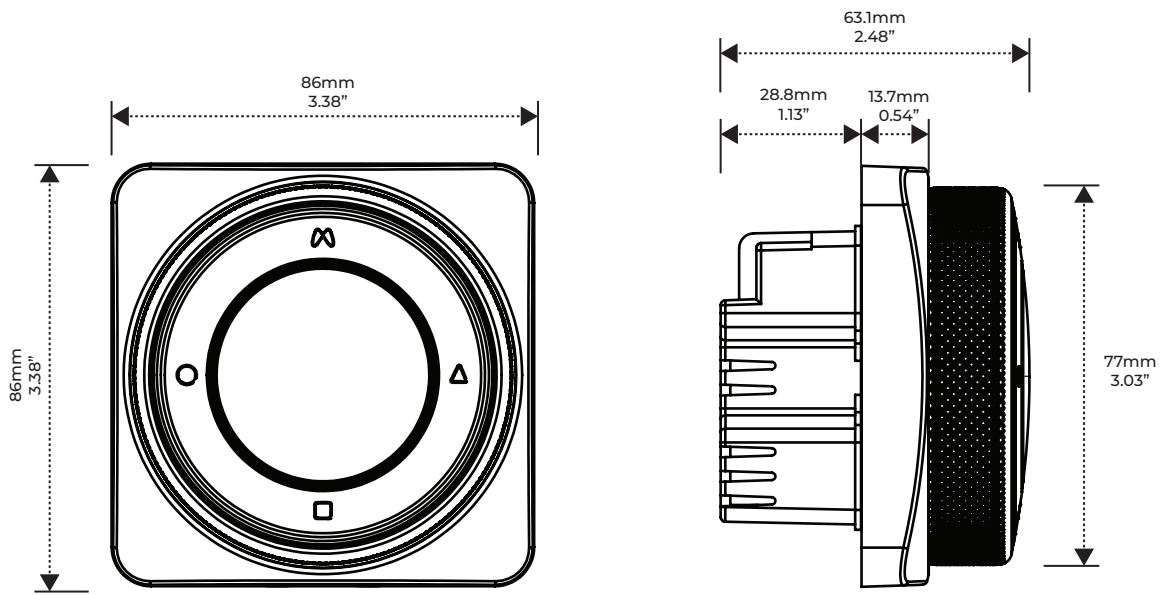
### DIMENSION



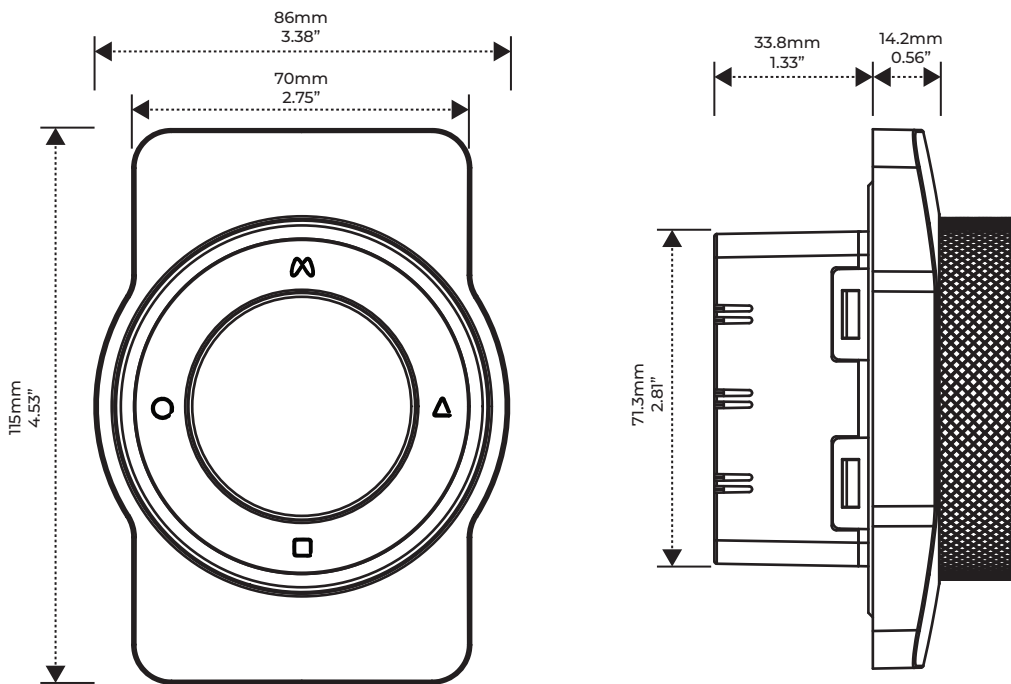
#### Battery-powered Base



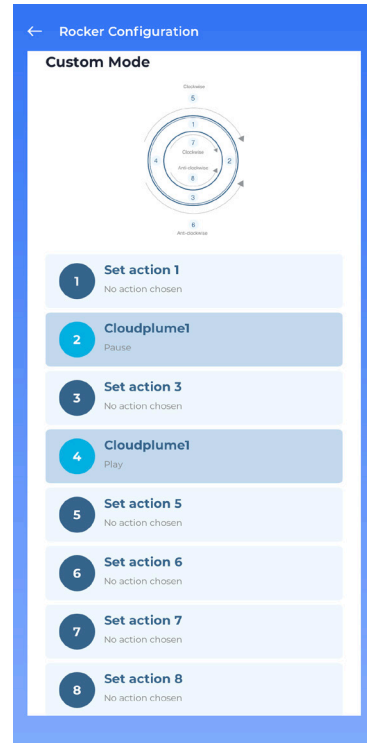
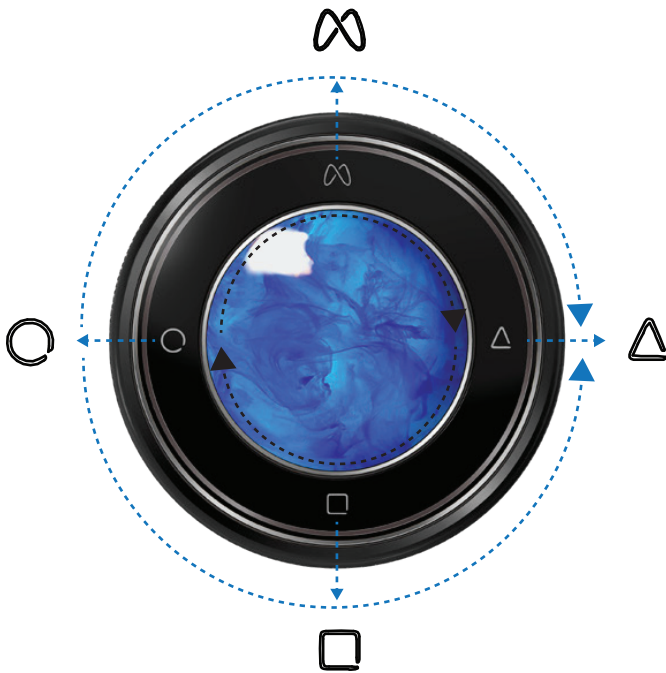
Square Wall Mount



Linear Wall Mount



Four Configurable Buttons



| Buttons                          | Description  |
|----------------------------------|--|
|                                  | Could set as on/off/Intensity up/Intensity down/CCT up/CCT down of individual or group of luminaires. Could use for scene, animation and schedule. |
|                                  | Could set as on/off/Intensity up/Intensity down/CCT up/CCT down of individual or group of luminaires. Could use for scene, animation and schedule. |
|                                  | Could set as on/off/Intensity up/Intensity down/CCT up/CCT down of individual or group of luminaires. Could use for scene, animation and schedule. |
|                                  | Could set as on/off/Intensity up/Intensity down/CCT up/CCT down of individual or group of luminaires. Could use for scene, animation and schedule. |
| Outer Rotary Dial Clockwise      | Could set as Intensity up/Intensity down/CCT up/CCT down of individual or group of luminaires. Could use for scene, animation and schedule.        |
| Outer Rotary Dial Anti-Clockwise | Could set as Intensity up/Intensity down/CCT up/CCT down of individual or group of luminaires. Could use for scene, animation and schedule.        |
| Inner Rotary Dial Clockwise      | Could set as Intensity up/Intensity down/CCT up/CCT down of individual or group of luminaires. Could use for scene, animation and schedule.        |
| Inner Rotary Dial Anti-Clockwise | Could set as Intensity up/Intensity down/CCT up/CCT down of individual or group of luminaires. Could use for scene, animation and schedule.        |

| MANDO |          |   |   |
|-------|----------|---|---|
| Model | Series   | Mounting  | Frame (only for wall mount)                     |
| MANDO | O=Oceana | <b>BP</b> =Battery powered base<br><b>SM</b> =Square wall mount<br><b>LM</b> =Linear wall mount | <b>MB</b> =Matte black<br><b>MG</b> =Matte gray |

Example:



MANDO-O-LM-MB



MANDO-O-BP



MANDO-O-SM-MB

Mando Control available with a premium presentation case, providing secure storage, protection during transport, and an enhanced, professional product presentation.



MANDO-CASE