

WRAP1 - LED Wraparound

Product Specification Sheet

Product Overview

The Starco LED Wraparound Fixture delivers uniform, glare-controlled illumination in a slim, low-profile design. Available in 4-foot and 8-foot lengths, it features a durable housing and high-efficiency LEDs to provide reliable, long-lasting performance for commercial and industrial spaces. Ideal for corridors, offices, classrooms, storage areas, and utility rooms, this fixture offers easy installation, low maintenance, and consistent light quality.

Available in multiple wattages and color temperatures, the fixture ensures a seamless transition to LED technology, reducing maintenance costs while improving visual comfort. Ideal for offices, schools, healthcare facilities, and commercial spaces, the LED Wraparound meets DLC and UL certification standards for superior performance and reliability.

Key Features

- Sheet steel housing with frosted polystyrene lens.
- High Brightness: Delivers up to 150 LPW for powerful, efficient lighting.
- Versatile Voltage: Compatible with AC120-277V or AC120-347V, providing flexibility for various applications.
- Durable Housing: Constructed with rugged galvanized rolled metal for improved cooling, light quality, and a longer lifespan.
- Dimmer Ready: 0-10V dimming capability for customizable light levels to suit your needs.
- Auxiliary Dimming: Includes a 12Vdc auxiliary dimming feature for added flexibility.
- Smart Control: Easy-to-install Bi-Level sensor with plug-and-play capability, allowing you to optimize energy use with automated lighting control.
- Flicker: Produces no greater than 30 percent flicker at 200 Hz or below when paired with control devices per CEC Title 24 JA10



Technical Specification

▪ Models and Wattage Options

- The LED Wraparound lighting consists of two performance packages for 4ft and 8ft applications. Each offers multiple wattage options to suit different lighting needs. Each model provides flexibility in power consumption, allowing users to optimize energy usage while maintaining high performance.

▪ High Efficiency and Performance

- Efficacy: Up to 150 lumens per watt (LPW) across all models, ensuring optimal energy efficiency.
- Correlated Color Temperature (CCT) Selectable: Available in 3500K, 4000K, and 5000K, providing different lighting tones suitable for various applications.
- Color Rendering Index (CRI): Ra 80, ensuring clear and accurate color representation.

▪ Electrical and Operational Features

- Input Voltage: AC 120-277V or 120-347V
- Power Factor: >0.9
- Dimming Capability: 0-10V dimmable for adjustable brightness and energy savings.
- Driver Efficacy: >94%; Ensures stable power delivery with minimal flickering.

▪ Durability and Environmental Adaptability

- Life Span: L70 over 100,000 hours, ensuring long-lasting performance with minimal maintenance.
- Working Temperature: Operates reliably in extreme temperatures ranging from -40°F to 113°F.
- Storage Temperature: Can be stored safely between -40°F and 176°F.
- Rated for damp locations, making it suitable for environments with moderate moisture exposure.

▪ Warranty

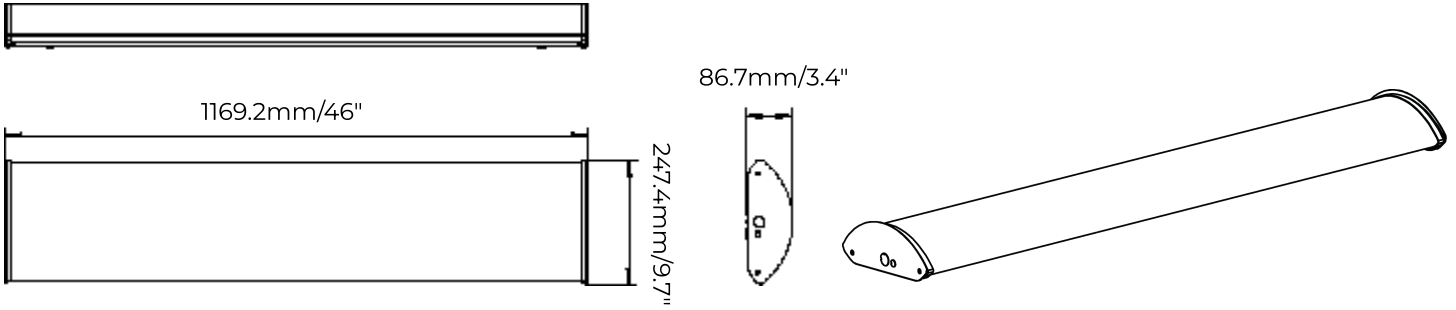
- 5-year limited warranty, providing assurance of product reliability and support.



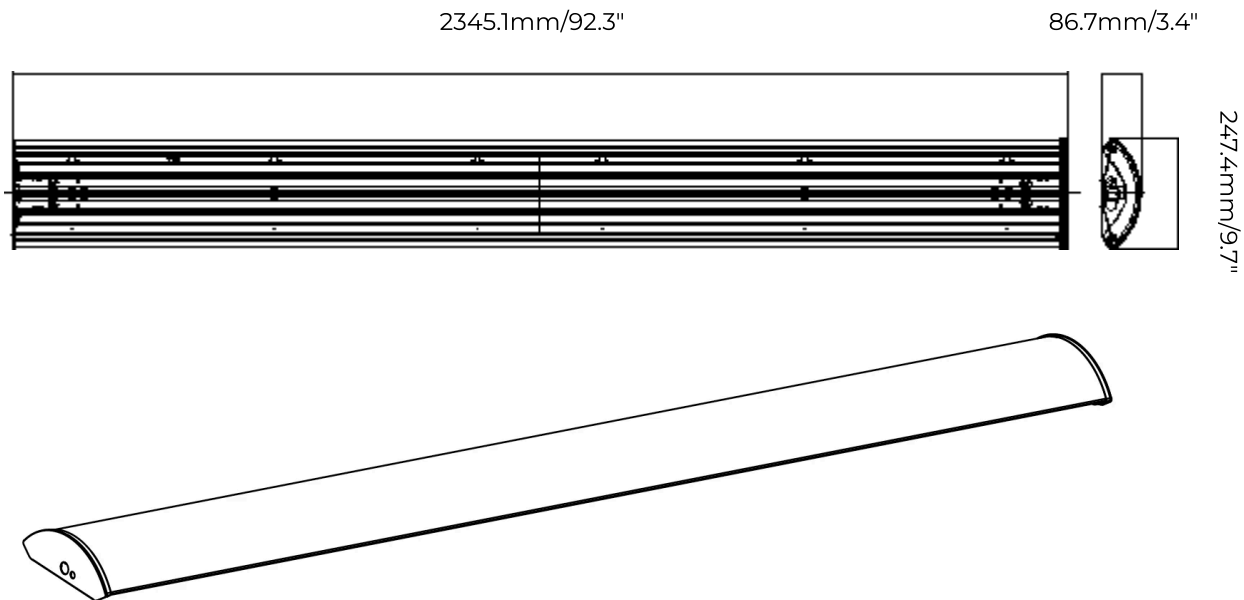
Dimension

LED Wraparound

4FT



8FT



Order Information


LED Wraparound

Example: SE-WRAP1-48-P1-CS-U-SE

SE	WRAP1					
Series	Type	Size	Performance Package	Color Temperature	Voltage	Efficacy
SE =Starconomy	WRAP1 =LED Wraparound	48 =4ft	P1 =23/31/38W	CS = 3500/4000/5000K	U =120-277V H =120-347V	SE =Standard Efficacy 130lm/w
		96 =8ft	P2 =46/62/65W			HE =High Efficacy 150lm/w

Options

Blank=No Sensor
M=Occ & Daylight Sensor
S=Bluetooth Occ & Daylight Sensor

EMD-10 EMD-20		10W Emergency LED Battery Backup 20W Emergency LED Battery Backup
------------------	---	--

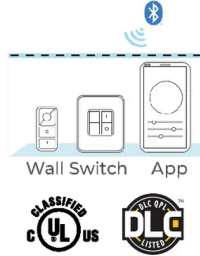
Performance Table - HE
LED Wraparound
High Efficacy - 150lm/w

Performance Package	Wattage	CCT	Lumen Output	Efficacy
P1 (4FT)	23	3500K	3450	150
		4000K	3473	151
		5000K	3473	151
	31	3500K	4650	150
		4000K	4681	151
		5000K	4681	151
	38	3500K	5700	150
		4000K	5738	151
		5000K	5738	151
P2 (8FT)	46	3500K	6854	149
		4000K	6900	150
		5000K	6900	150
	62	3500K	9238	149
		4000K	9300	150
		5000K	9300	150
	75	3500K	11175	149
		4000K	11250	150
		5000K	11250	150

Standard Efficacy - 130lm/w

Performance Package	Wattage	CCT	Lumen Output	Efficacy
P1 (4FT)	23	3500K	2967	129
		4000K	2990	130
		5000K	3013	131
	31	3500K	3999	129
		4000K	4030	130
		5000K	4061	131
	38	3500K	4902	129
		4000K	4940	130
		5000K	4978	131
P2 (8FT)	46	3500K	5934	129
		4000K	5980	130
		5000K	6026	131
	62	3500K	7998	129
		4000K	8060	130
		5000K	8122	131
	75	3500K	9675	129
		4000K	9750	130
		5000K	9825	131

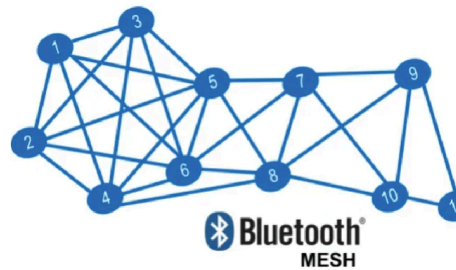
Bluetooth Mesh Wireless Motion&Daylight Sensor



Features

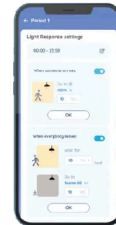
- 2 channels 0-10V
- 12-24VDC powered
- PIR motion sensing
- Ambient daylight sensing
- Output: 15mA @0-10VDC
- Dimming range: 0-100%
- Working temperature: -20 to 50°C (-4 to 122°F)
- BLE5.2 based non-flooding intelligent communication
- Available with either an audio jack or a Zhaga Book 18 connector
- IP65 rated for outdoor applications

Our lights feature integrated Bluetooth Mesh wireless sensors, enabling seamless wireless control for enhanced efficiency and flexibility. This technology allows for real-time monitoring, automated adjustments, and energy savings without the need for additional wiring, making installation and operation simple and cost-effective.



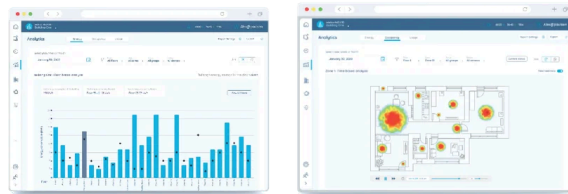
Mobile App

- For commission, configuration and controlling lighting networks including device replacement feature that makes commission easier.
- Setting up schedules, scenes and animations for individual devices or groups or zones
- Always get the latest features and improvements using OTA updates for devices
- Safe and reliable communication with AES 128-bit encryption and ensure safety using 4-digit code



Desktop App

- Track power usage and access reports.
- Occupancy pattern and device usage
- Emergency testing report



BMS Intergration

- Starco Control ecosystem leverages the Niagara framework to intergrate with any of the 120+ BMS protocols.
- Very simple to connect as plugging the two systems into a common Ethernet network.
- All data can be shared and BMS can monitor and control the lighting system.
- Adding OpendADR gateway, the customer can take advantage of any current or future utility demand response programs including peak pricing, capacity bidding and direct laod control

